

Operation with connected accumulation mass - accumulation period 12h	
Tested according to	EN 13229
Efficiency	> 80 %
Load of wood (minimum / average / maximum)	10 / 14 / 17 kg
Heat power (with accumulation period 12 h and load of wood Ø 10kg)	4,4 kW
Total heat output of the burning chamber (load of wood Ø 10kg)	52,6 kW
Mass flow of flue gas (load of wood Ø 10kg)	35,7 g/s
Average flue gas temperature on the output ¹ past 5,2 m of ceramic accumulation system ²	618 °C 197 °C
Heat distribution mass storage heater door glass (single / double) adjoining accumulation mass	30 % - / 20 % 50 %
Required chimney pressure ³	12 Pa
Required amount of combustion air	175 m ³ /h

General technical information	
Combustion air connection	2 x Ø 125 mm
Total weight / heater accumulation mass weight	ca. 507 / 389 kg
Load capacity	500 kg
Use in non-ventilated accumulation builds according to craft rules	suitable
Meets values	BlmSchV (Stufe2), 15a BVG

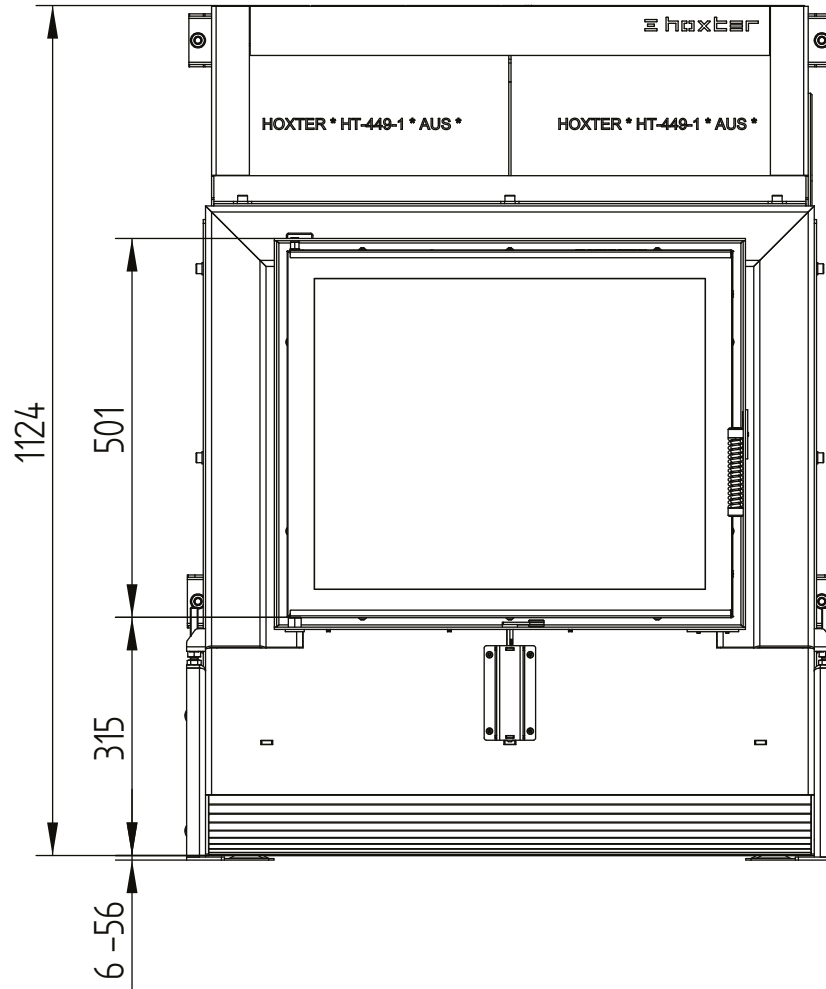
- 1 The Hoxter products are available in the Austrian stove-calculation program for evaluation of firebrick accumulation systems.
- 2 Reference value - for accurate results is evaluation of every system in a calculation program necessary.
- 3 For SF without adjoining accumulation mass.

SF 56.40 – 63/51

Technical data
Version 2019/08

air connection

M 1:10

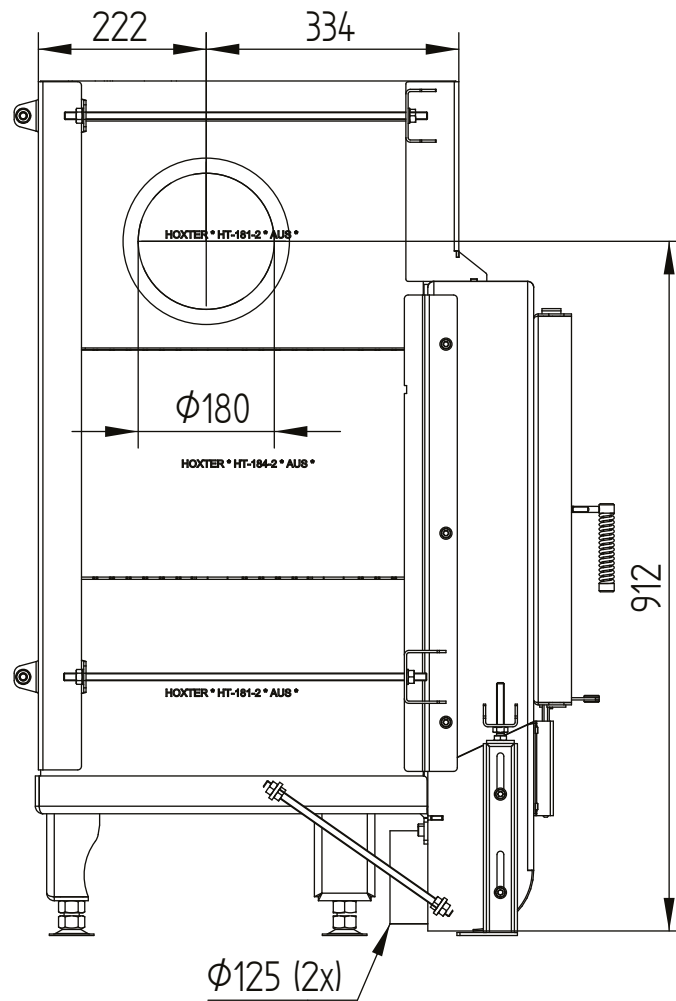


SF 56.40 – 63/51

Technical data
Version 2019/08

air connection

M 1:10

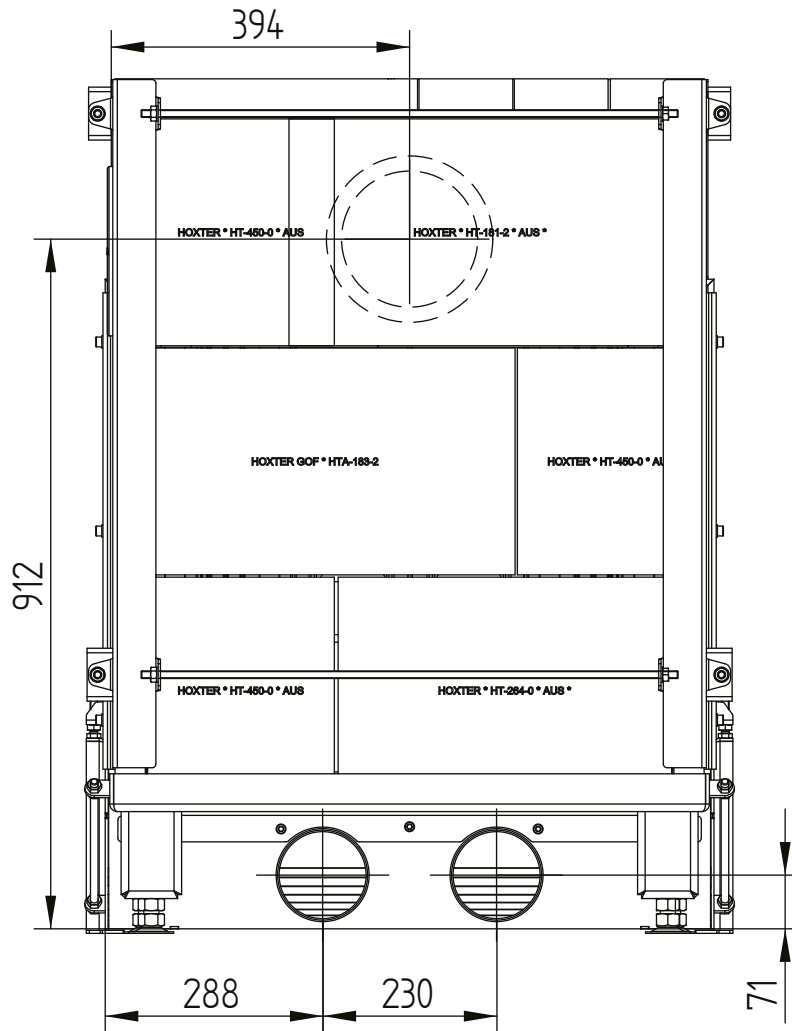


SF 56.40 – 63/51

Technical data
Version 2019/08

air connection

M 1:10

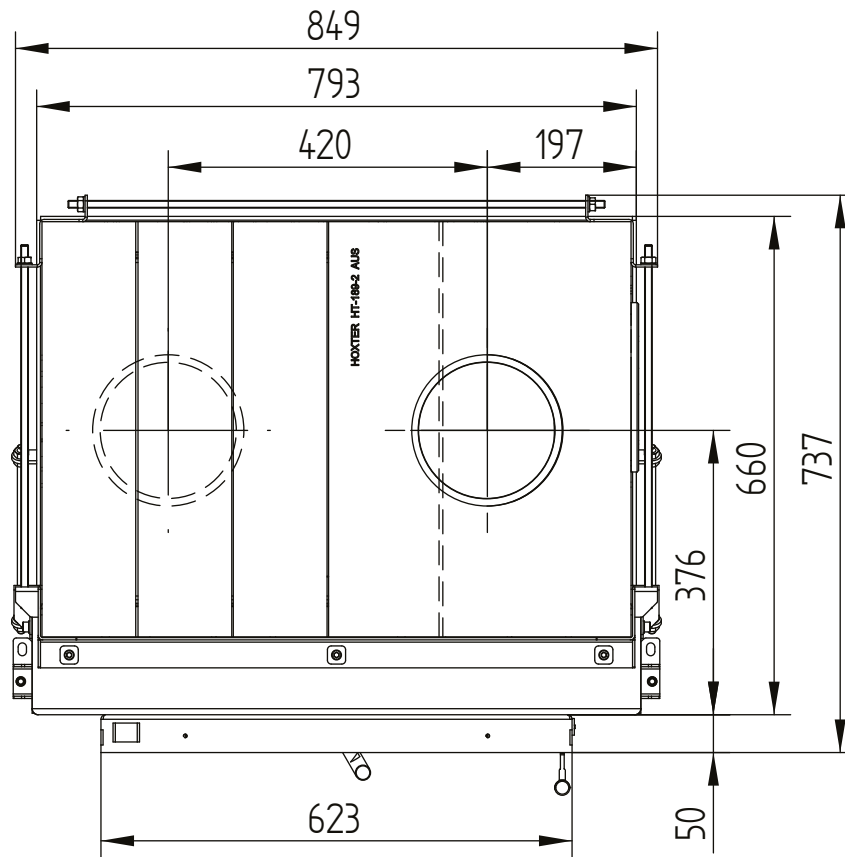


SF 56.40 – 63/51

Technical data
Version 2019/08

air connection

M 1:10

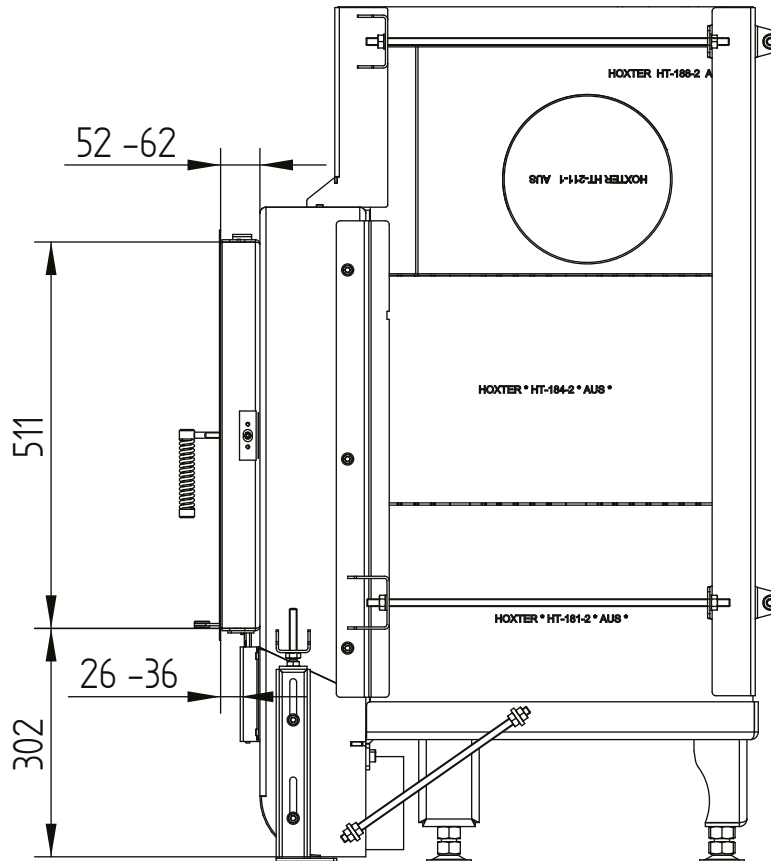


SF 56.40 – 63/51

Technical data
Version 2019/08

cover frame 63/51 4sides 50 mm 1 x 90°

M 1:10

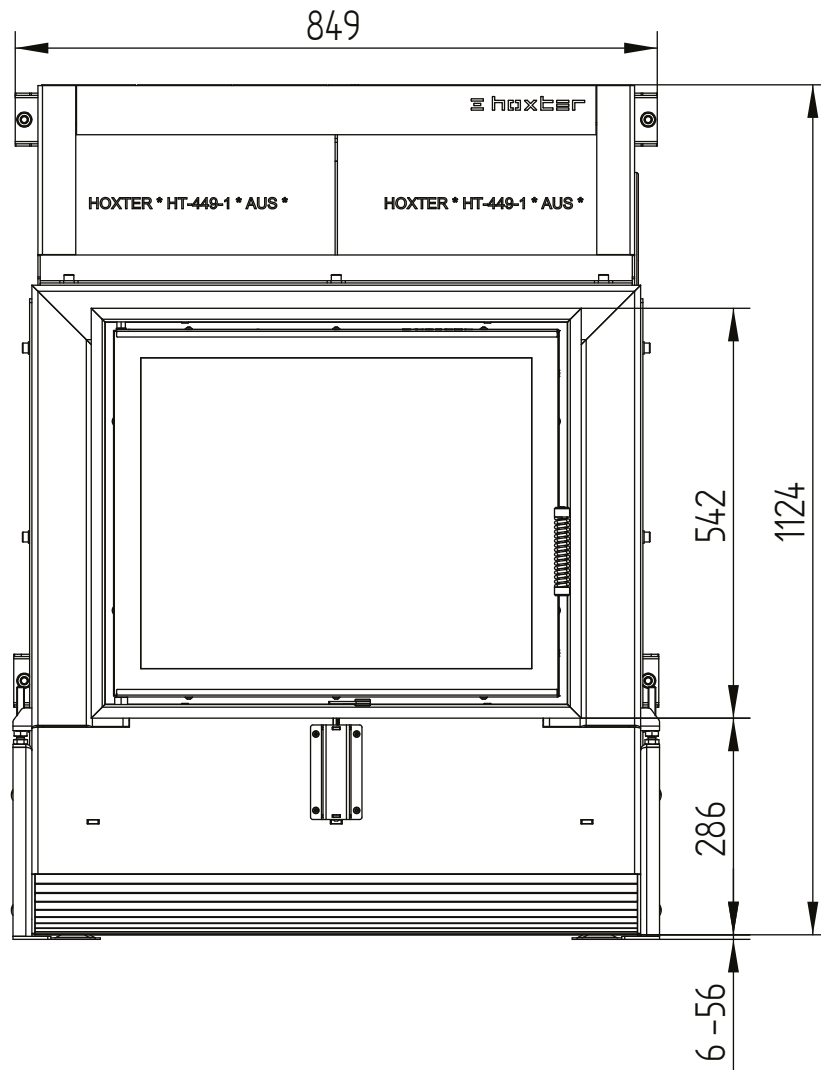


SF 56.40 – 63/51

Technical data
Version 2019/08

cover frame 63/51 4sides 50 mm 1 x 90°

M 1:10

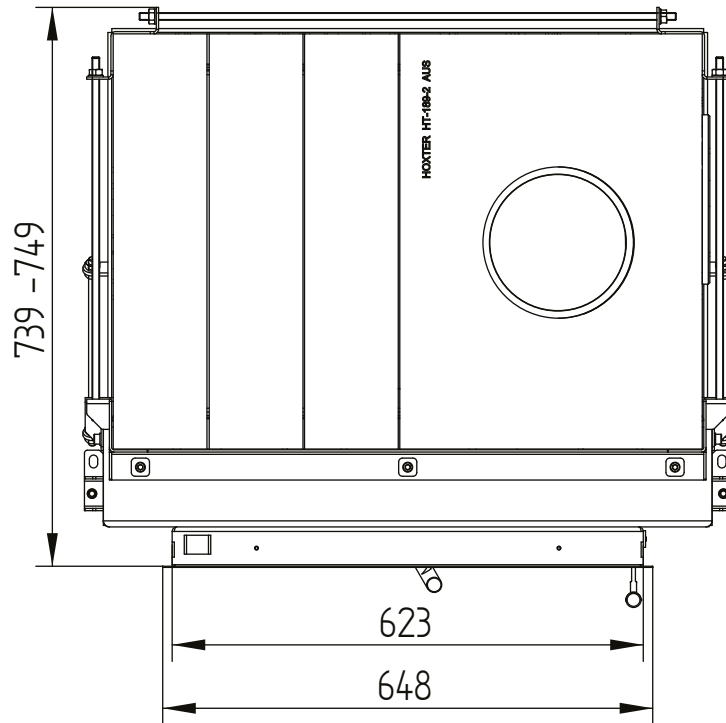


SF 56.40 – 63/51

Technical data
Version 2019/08

cover frame 63/51 4sides 50 mm 1 x 90°

M 1:10

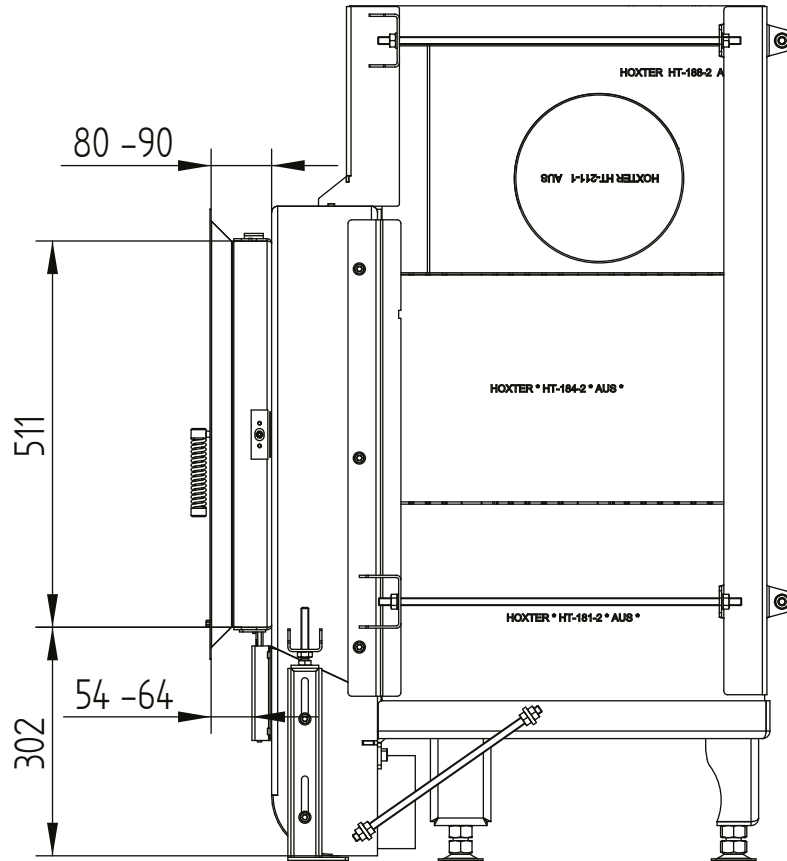


SF 56.40 – 63/51

Technical data
Version 2019/08

cover frame 63/51 4sides 80 mm 2 x 45° / feet

M 1:10

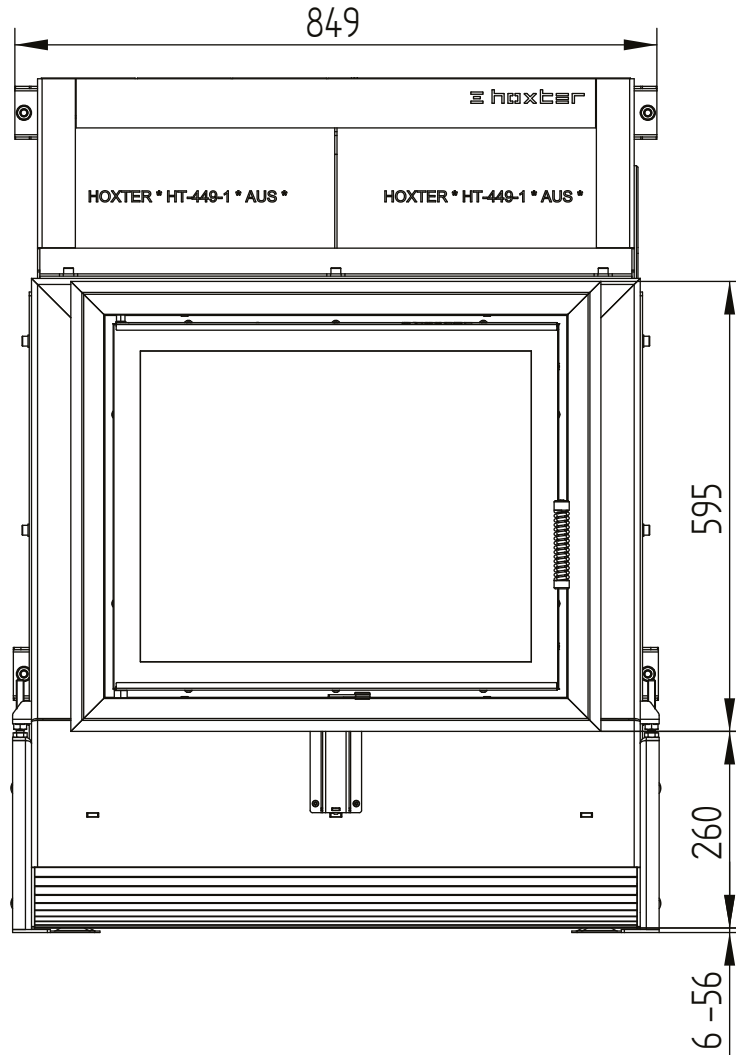


SF 56.40 – 63/51

Technical data
Version 2019/08

cover frame 63/51 4sides 80 mm 2 x 45° / feet

M 1:10



SF 56.40 – 63/51

Technical data
Version 2019/08

cover frame 63/51 4sides 80 mm 2 x 45° / feet

M 1:10

