

SF 55.24 – 70/40/38L left

Technical data
Version 2019/08

Operation with connected accumulation mass - accumulation period 12h	
Tested according to	EN 13229
Efficiency	> 80 %
Load of wood (minimum / average / maximum)	7 / 10 / 14 kg
Heat power (with accumulation period 12 h and load of wood Ø 10kg)	3,0 kW
Total heat output of the burning chamber (load of wood Ø 10kg)	36,0 kW
Mass flow of flue gas (load of wood Ø 10kg)	30,1 g/s
Average flue gas temperature on the output ¹ past 4,5 m of ceramic accumulation system ²	583 °C 186 °C
Heat distribution mass storage heater door glass (single / double) adjoining accumulation mass	20 % - / 30 % 50 %
Required chimney pressure ³	12 Pa
Required amount of combustion air	125 m ³ /h

General technical information	
Combustion air connection	2 x Ø 125 mm
Total weight / heater accumulation mass weight	ca. 363 / 250 kg
Load capacity	500 kg
Use in non-ventilated accumulation builds according to craft rules	suitable
Meets values	BImSchV (Stufe2), 15a BVG

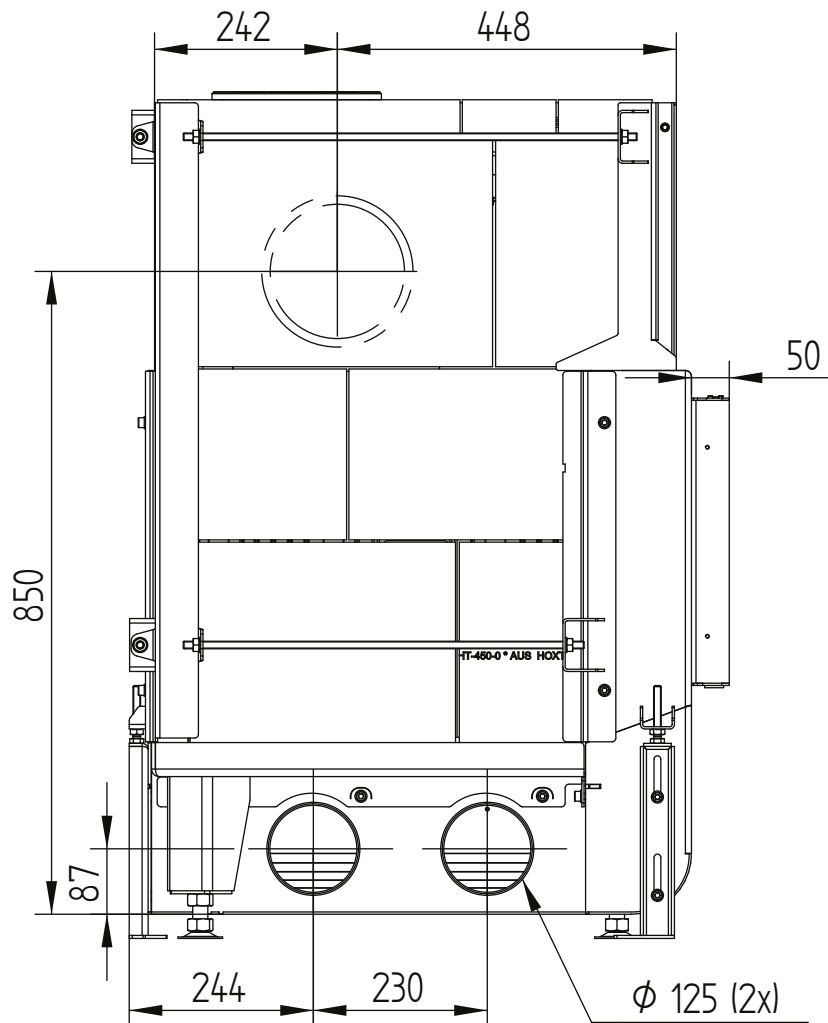
- ¹ The Hoxter products are available in the Austrian stove-calculation program for evaluation of firebrick accumulation systems.
- ² Reference value - for accurate results is evaluation of every system in a calculation program necessary.
- ³ For SF without adjoining accumulation mass.

SF 55.24 – 70/40/38L left

Technical data
Version 2019/08

air connection

M 1:10

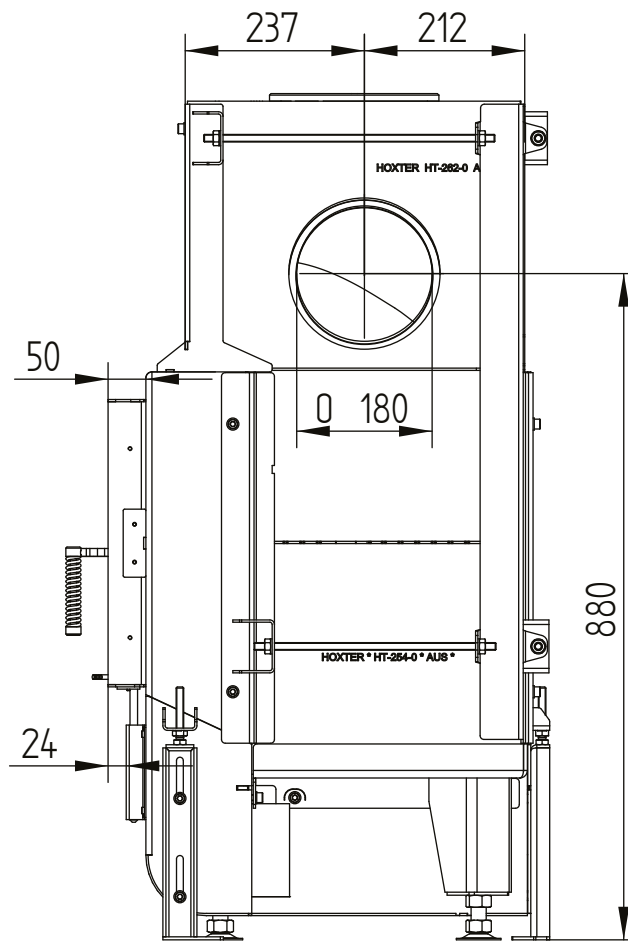


SF 55.24 – 70/40/38L left

Technical data
Version 2019/08

air connection

M 1:10

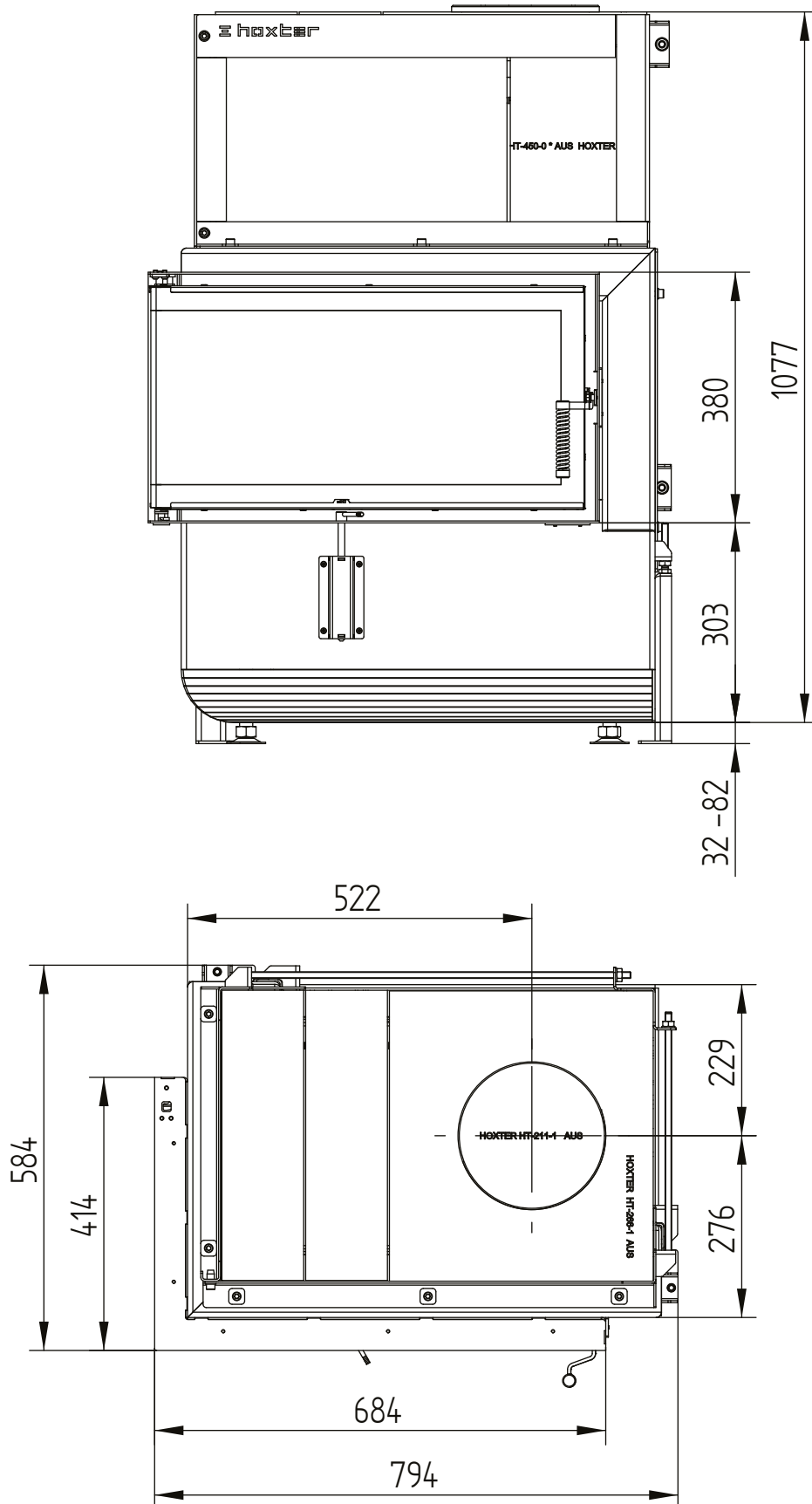


SF 55.24 – 70/40/38L left

Technical data
Version 2019/08

air connection

M 1:10

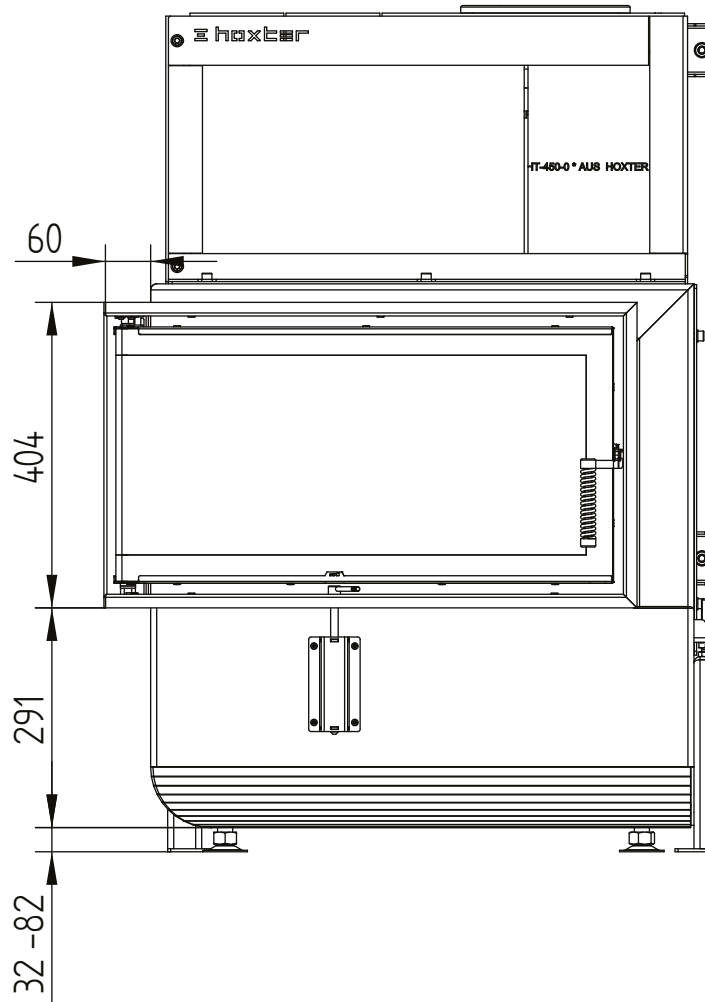


SF 55.24 – 70/40/38L left

Technical data
Version 2019/08

cover frame 70/40/38L left 6sides 1 x 90° 60 mm

M 1:10

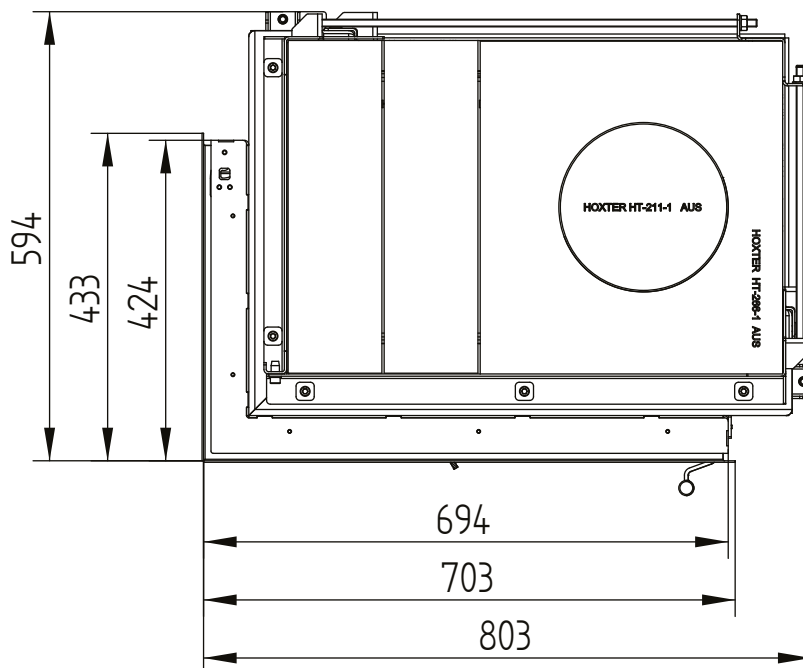
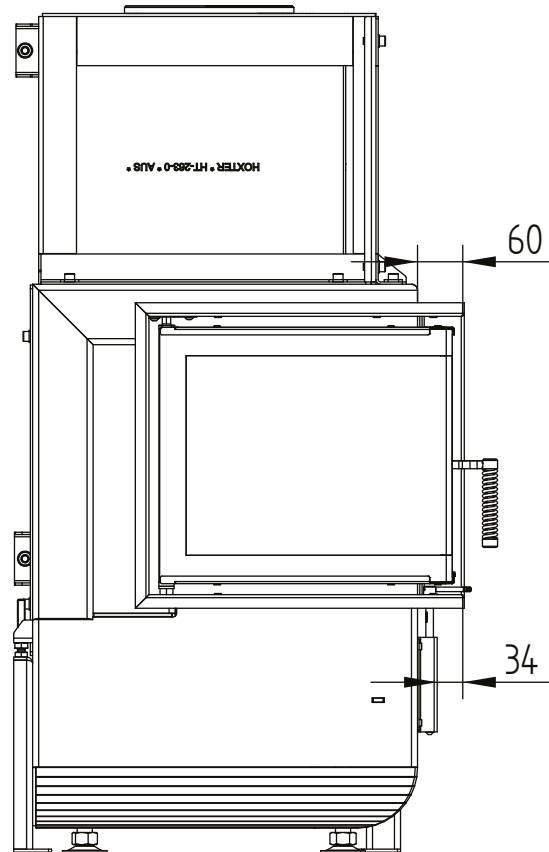


SF 55.24 – 70/40/38L left

Technical data
Version 2019/08

cover frame 70/40/38L left 6sides 1 x 90° 60 mm

M 1:10

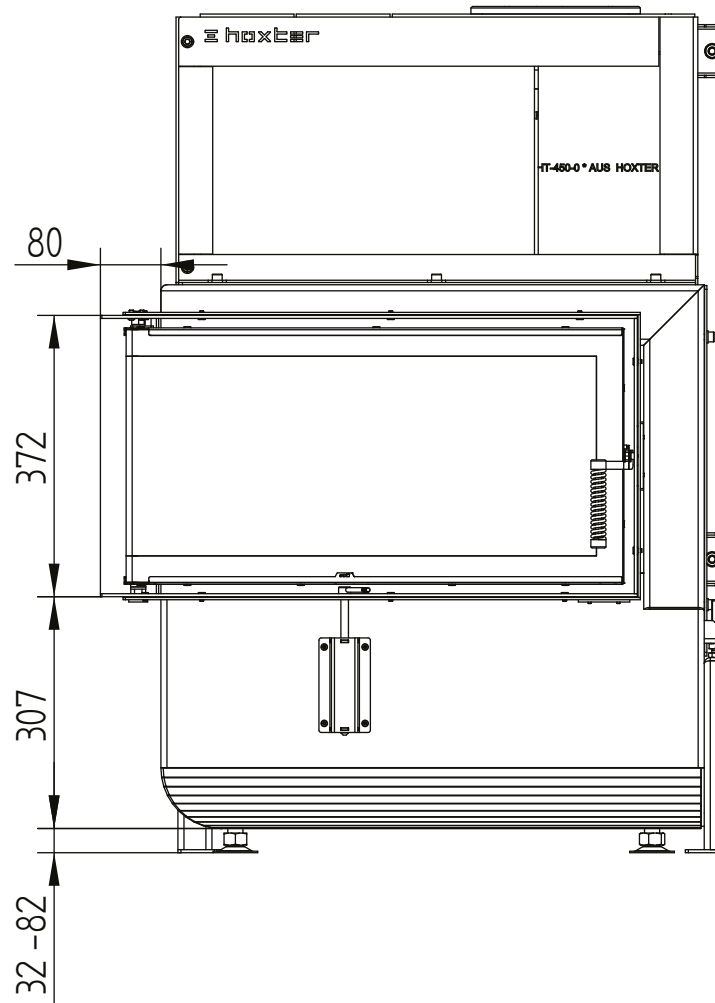


SF 55.24 – 70/40/38L left

Technical data
Version 2019/08

build-on frame 70/40/38L left 6sides 80 mm / feet

M 1:10

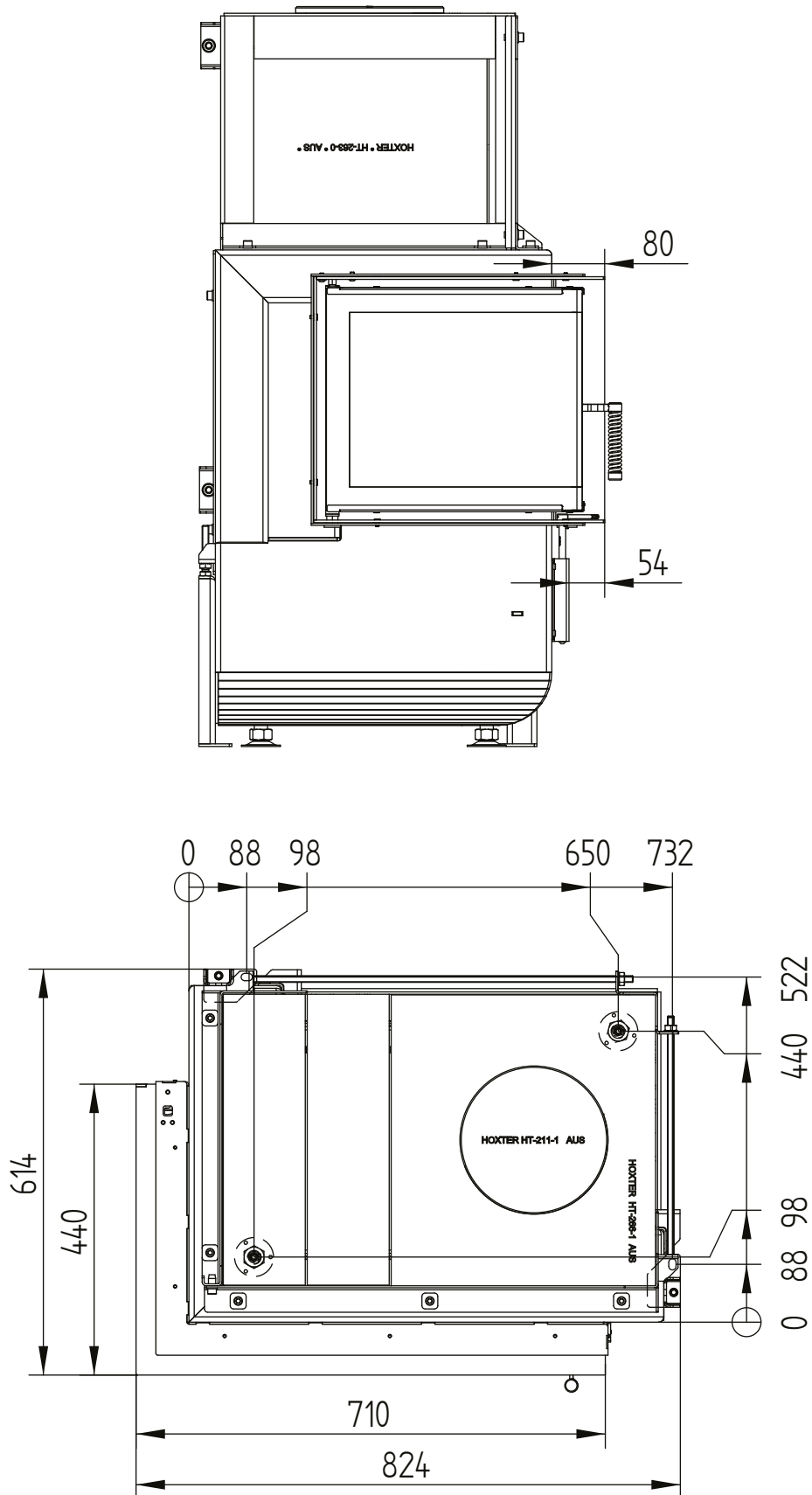


SF 55.24 – 70/40/38L left

Technical data
Version 2019/08

build-on frame 70/40/38L left 6sides 80 mm / feet

M 1:10



SF 55.24 – 70/40/38R right

Technical data
Version 2019/08

Operation with connected accumulation mass - accumulation period 12h	
Tested according to	EN 13229
Efficiency	> 80 %
Load of wood (minimum / average / maximum)	7 / 10 / 14 kg
Heat power (with accumulation period 12 h and load of wood Ø 10kg)	3,0 kW
Total heat output of the burning chamber (load of wood Ø 10kg)	36,0 kW
Mass flow of flue gas (load of wood Ø 10kg)	30,1 g/s
Average flue gas temperature on the output ¹ past 4,5 m of ceramic accumulation system ²	583 °C 186 °C
Heat distribution mass storage heater door glass (single / double) adjoining accumulation mass	20 % - / 30 % 50 %
Required chimney pressure ³	12 Pa
Required amount of combustion air	125 m ³ /h

General technical information	
Combustion air connection	2 x Ø 125 mm
Total weight / heater accumulation mass weight	ca. 363 / 250 kg
Load capacity	500 kg
Use in non-ventilated accumulation builds according to craft rules	suitable
Meets values	BImSchV (Stufe2), 15a BVG

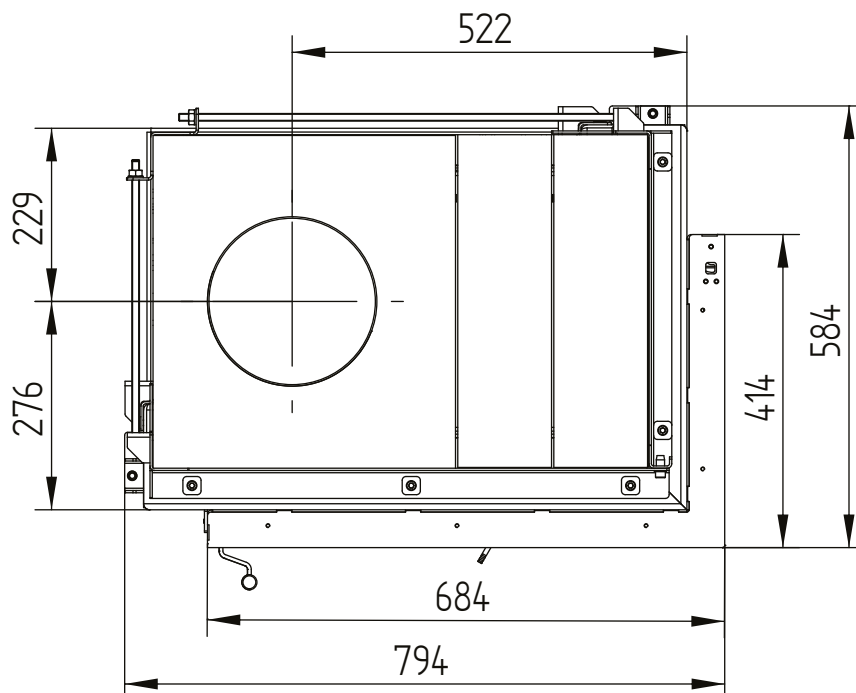
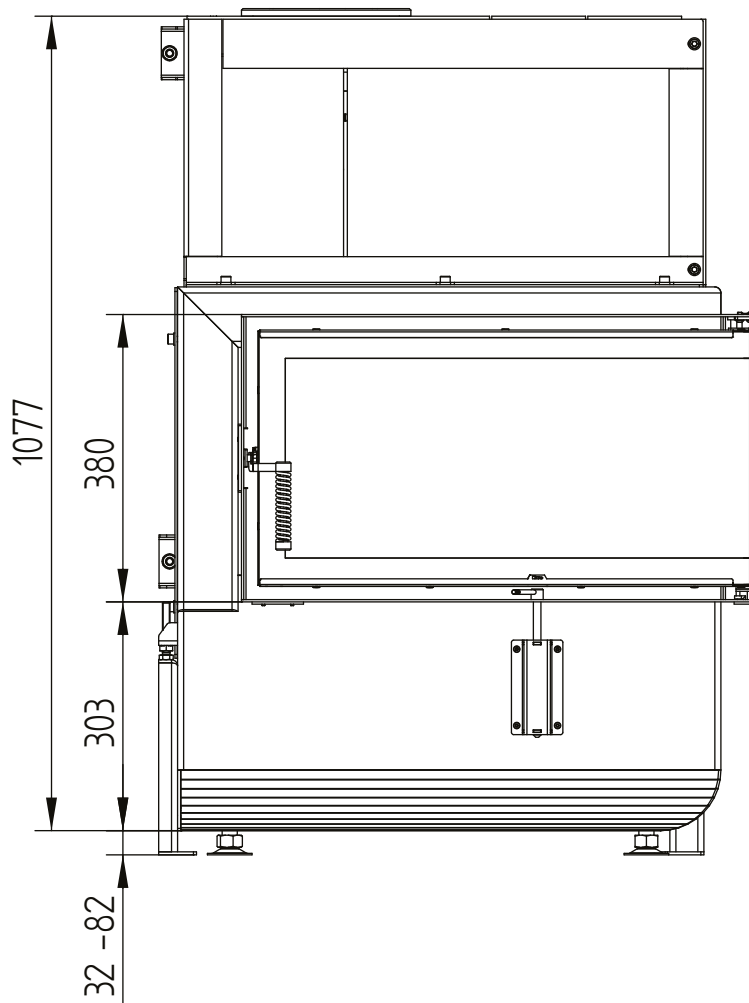
- 1** The Hoxter products are available in the Austrian stove-calculation program for evaluation of firebrick accumulation systems.
- 2** Reference value - for accurate results is evaluation of every system in a calculation program necessary.
- 3** For SF without adjoining accumulation mass.

SF 55.24 – 70/40/38R right

Technical data
Version 2019/08

air connection

M 1:10

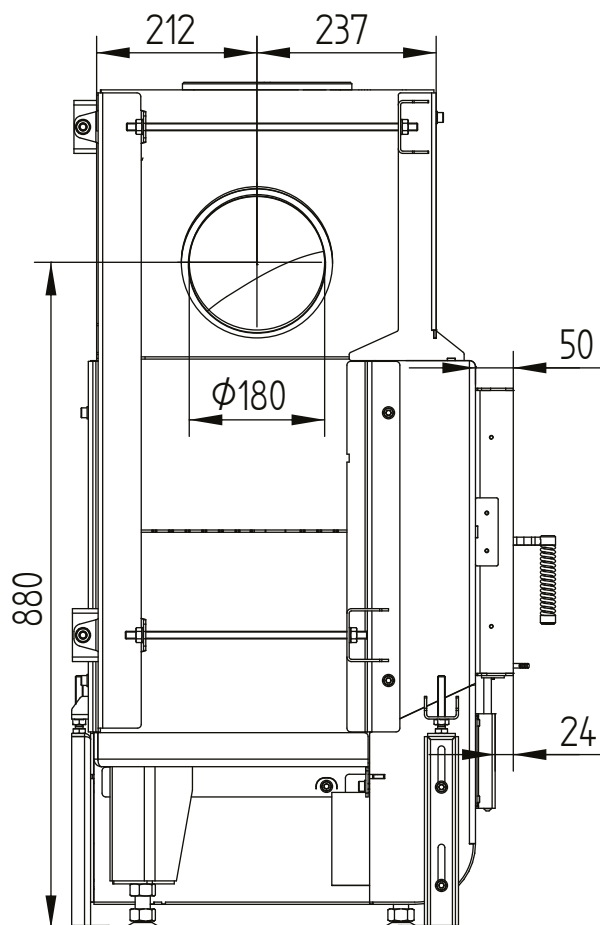


SF 55.24 – 70/40/38R right

Technical data
Version 2019/08

air connection

M 1:10

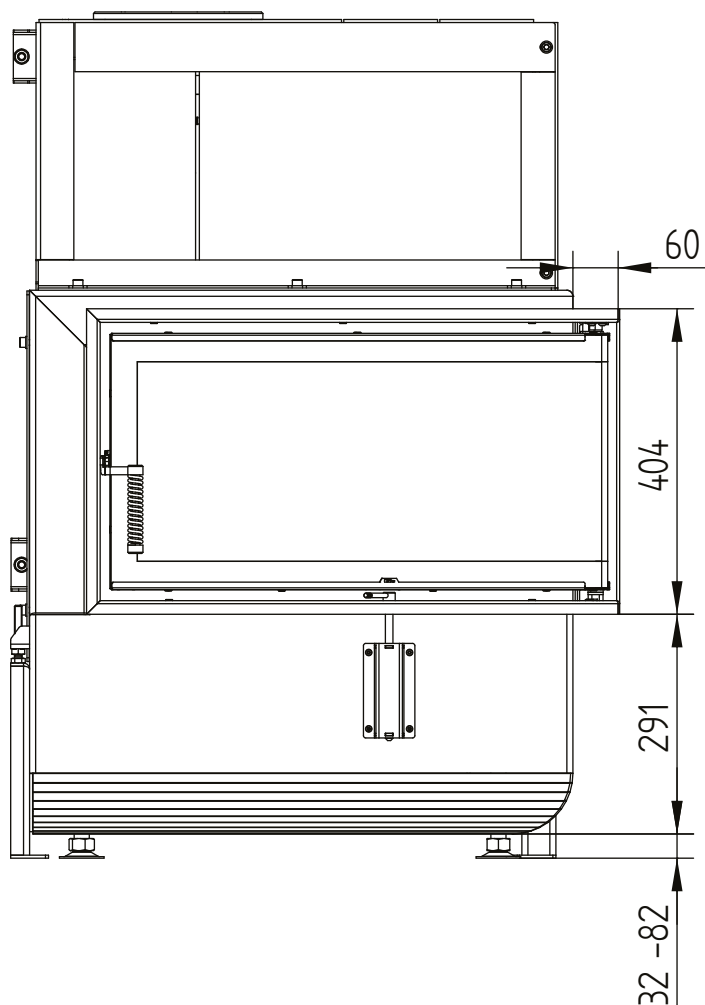


SF 55.24 – 70/40/38R right

Technical data
Version 2019/08

cover frame 70/40/38R right 6sides 1 x 90° 60 mm

M 1:10

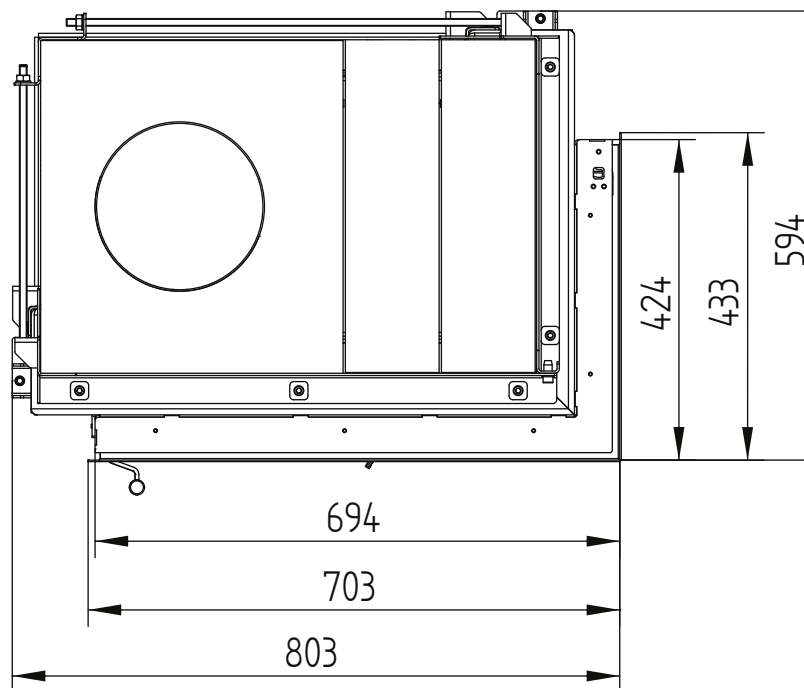
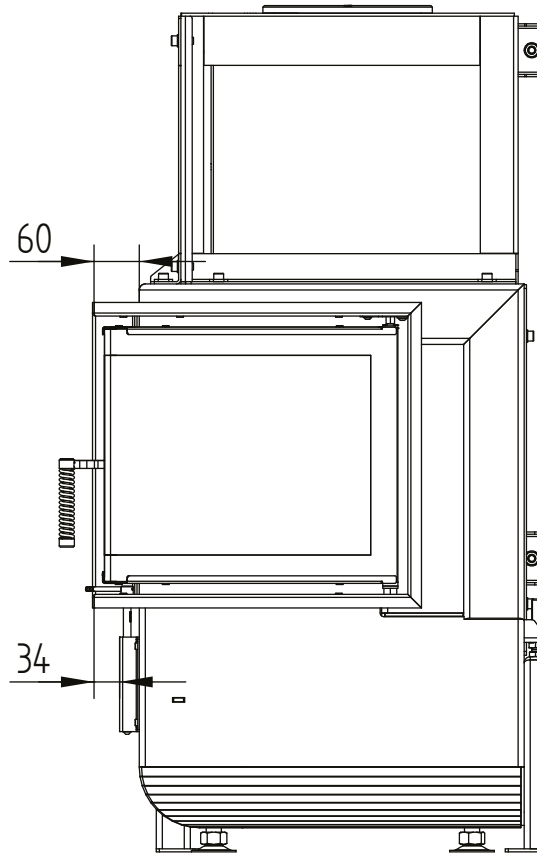


SF 55.24 – 70/40/38R right

Technical data
Version 2019/08

cover frame 70/40/38R right 6sides 1 x 90° 60 mm

M 1:10

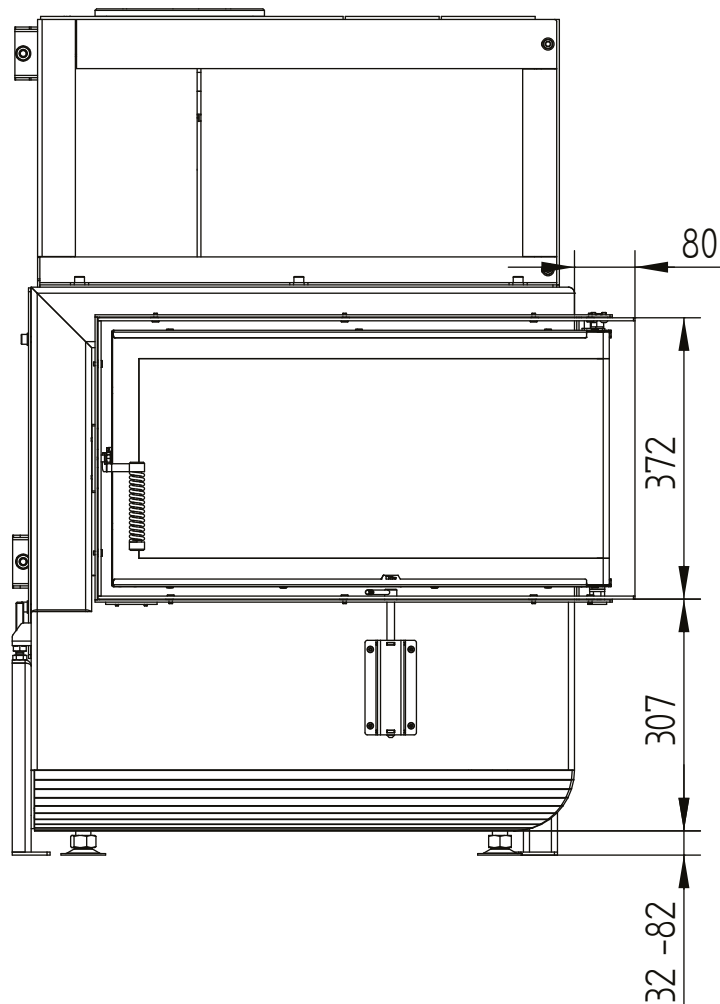


SF 55.24 – 70/40/38R right

Technical data
Version 2019/08

build-on frame 70/40/38R right 6sides 80 mm / feet

M 1:10



SF 55.24 – 70/40/38R right

Technical data
Version 2019/08

build-on frame 70/40/38R right 6sides 80 mm / feet

M 1:10

