

<b>Operation with connected accumulation mass - accumulation period 12h</b>	
Tested according to	EN 13229
Efficiency	> 80 %
Load of wood (minimum / average / maximum)	7 / 10 / 14 kg
Heat power (with accumulation period 12 h and load of wood Ø 10kg)	3,0 kW
Total heat output of the burning chamber (load of wood Ø 10kg)	36,1 kW
Mass flow of flue gas (load of wood Ø 10kg)	33,0 g/s
<b>Average flue gas temperature</b> on the output <sup>1</sup> past 4,5 m of ceramic accumulation system <sup>2</sup>	558 °C 200 °C
<b>Heat distribution</b> mass storage heater door glass (single / double) adjoining accumulation mass	25 % - / 30 % 45 %
Required chimney pressure <sup>3</sup>	12 Pa
Required amount of combustion air	125 m <sup>3</sup> /h

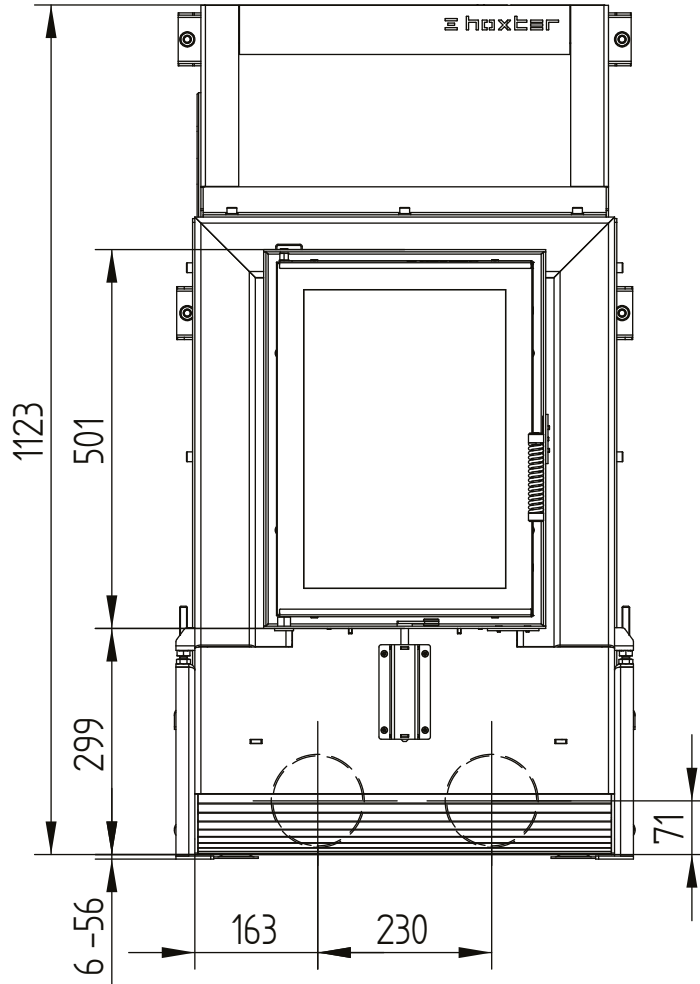
<b>General technical information</b>	
Combustion air connection	2 x Ø 125 mm
Total weight / heater accumulation mass weight	ca. 508 / 312 kg
Load capacity	500 kg
Use in non-ventilated accumulation builds according to craft rules	suitable
Meets values	BImSchV (Stufe2), 15a BVG

# SF 31.45 – 37/50T

Technical data  
Version 2019/08

air connection

M 1:10

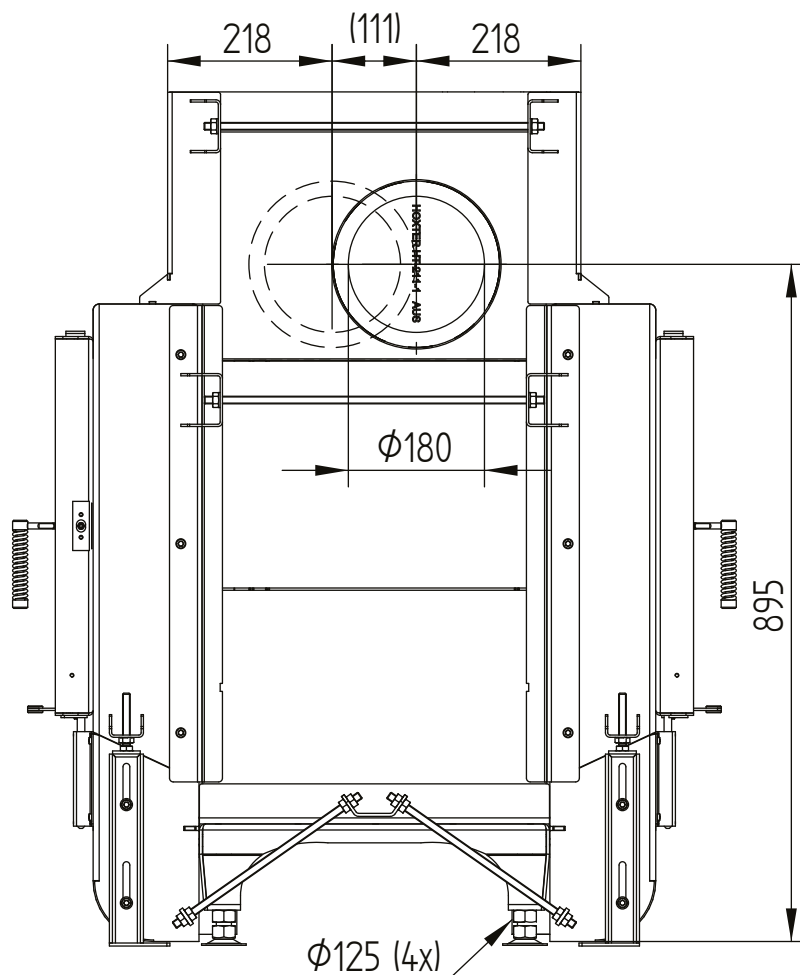


# SF 31.45 – 37/50T

Technical data  
Version 2019/08

air connection

M 1:10

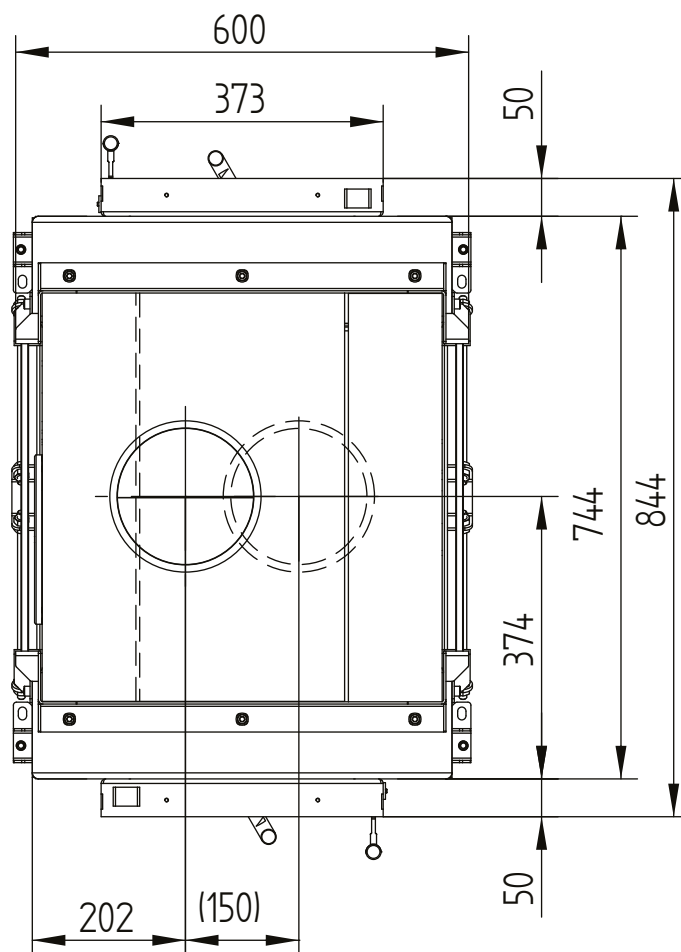


# SF 31.45 – 37/50T

Technical data  
Version 2019/08

air connection

M 1:10

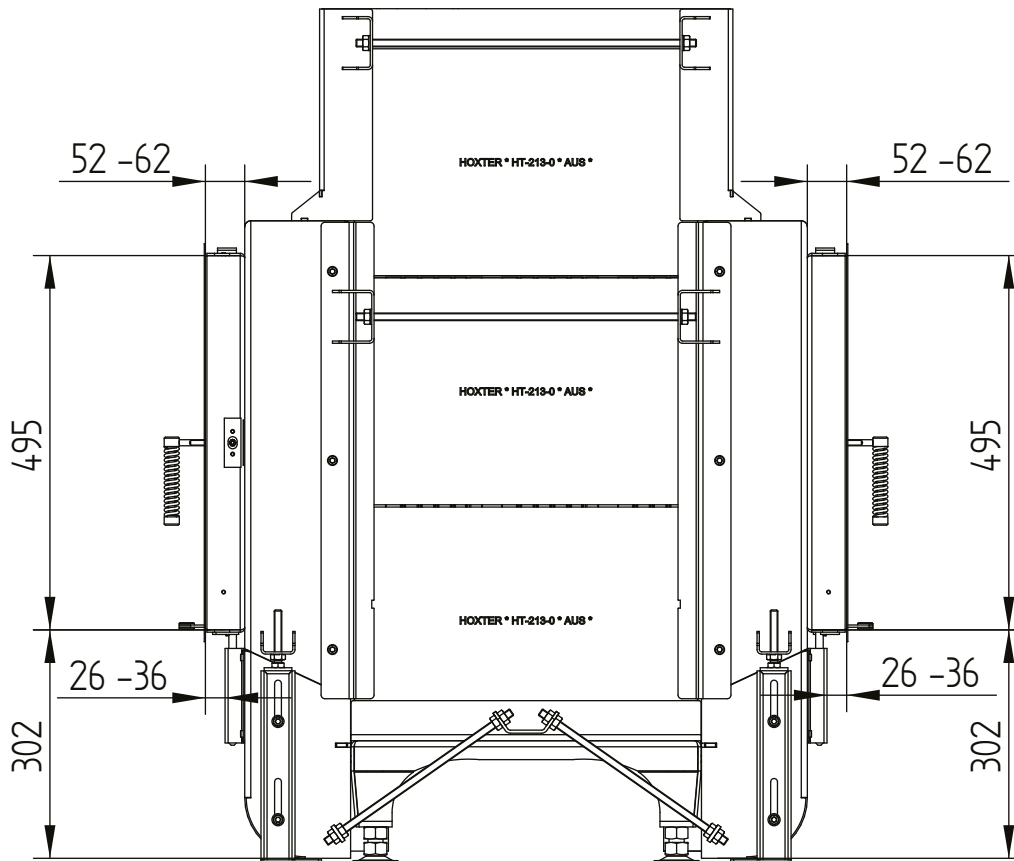


# SF 31.45 – 37/50T

Technical data  
Version 2019/08

cover frame 37/50 4sides 50 mm 1 x 90°

M 1:10

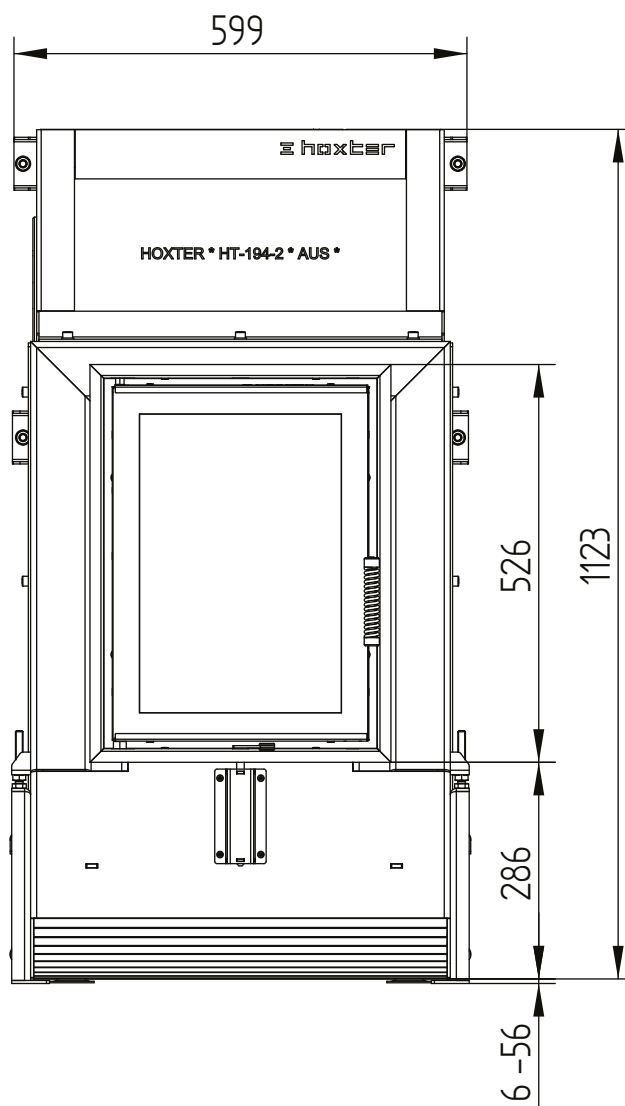


# SF 31.45 – 37/50T

Technical data  
Version 2019/08

cover frame 37/50 4sides 50 mm 1 x 90°

M 1:10

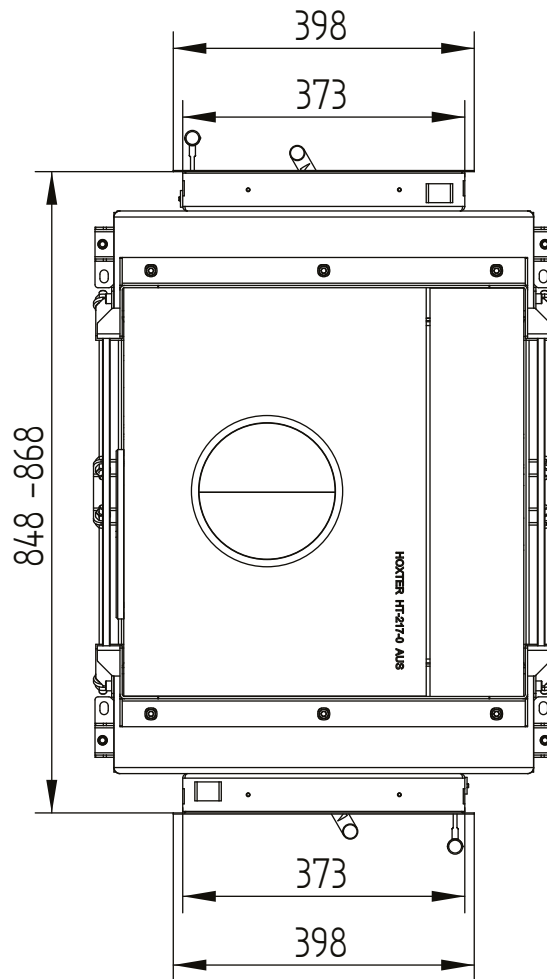


# SF 31.45 – 37/50T

Technical data  
Version 2019/08

cover frame 37/50 4sides 50 mm 1 x 90°

M 1:10

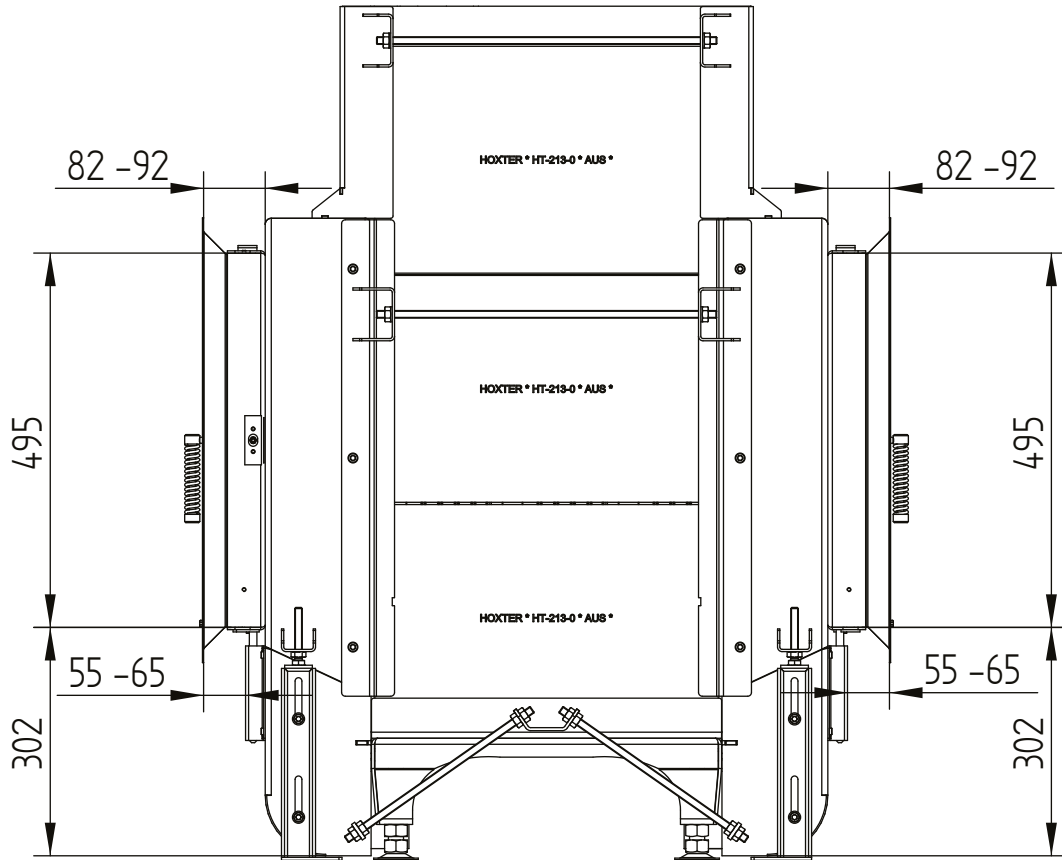


# SF 31.45 – 37/50T

Technical data  
Version 2019/08

cover frame 37/50 4sides 80 mm 2 x 45°

M 1:10



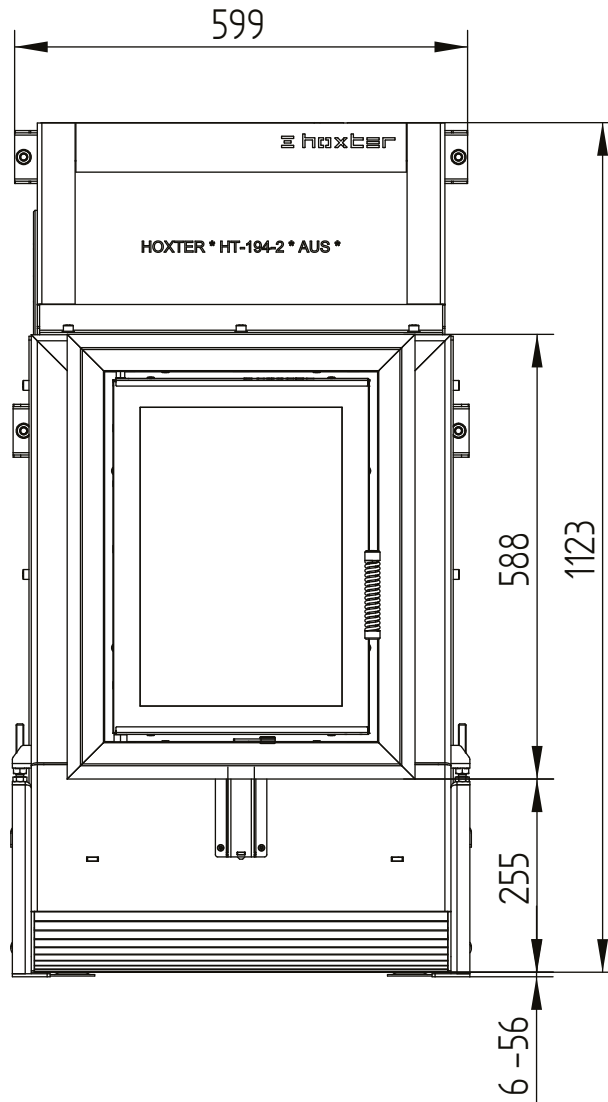


# SF 31.45 – 37/50T

Technical data  
Version 2019/08

cover frame 37/50 4sides 80 mm 2 x 45°

M 1:10



# SF 31.45 – 37/50T

Technical data  
Version 2019/08

cover frame 37/50 4sides 80 mm 2 x 45°

M 1:10

