

	operation when directly connected to chimney	
	HAKA 78/57W	HAKA 78/57WI
Energy label	A+	A+
Operating data		
Nominal heat power / Power absorbed to water	12,5 / 7 kW	12,5 / 8,1 kW
Efficiency	> 80 %	> 80 %
Consumption of wood	3,8 kg/h	3,8 kg/h
Mass flow of flue gas	10,6 g/s	10,6 g/s
Required chimney pressure	12 Pa	12 Pa
Required amount of combustion air	40 m ³ /h	40 m ³ /h
Average flue gas temperature		
on the output	186 °C	186 °C
Heat distribution		
fireplace insert	22 %	13 %
door glass (single / double)	0 / 22 %	0 / 22 %
water	56 %	65 %
Water exchanger specifications		
Maximum working pressure	2,5 bar	2,5 bar
Minimum return water temperature	55 °C	55 °C
Water capacity	75 liter	75 liter
Connection input / output	1 / 1 G	1 / 1 G
Information for builds		
Minimal grill area supply / outgoing (with vent. grill)	300 / 350 cm ²	250 / 300 cm ²
Minimum radiant area ³ (without vent. grill)	2 m ²	2 m ²
Minimum distance from insulated areas / floor	40 / 0 mm	20 / 0 mm
Reference insulation ¹ ceiling / back wall / side wall / floor	100 / 60 / 60 / 0 mm	100 / 60 / 60 / 0 mm
Calciumsilicate insulation ² ceiling / back wall / side wall / floor	75 / 45 / 45 / 0 mm	75 / 45 / 45 / 0 mm
General technical information		
Total weight / lining weight	ca. 385 / 113 kg	ca. 400 / 113 kg
Burning chamber dimensions (width x depth)	705 x 305 mm	
Combustion air connection	Ø 125 mm	
Use in non-ventilated accumulation builds according to craft rules	suitable	
Tested according to	EN 13229	
Meets values	1. BlmSchV (Stufe2), 15a BVG	

1 Mineral wool according to AGI-Q 132

2 Example SkamoEnclousure Board 225 kg/m³

3 Depends on accumulation period and material characteristics.

Listed values calculated with chamotte stone thickness 30 mm with radiant area 500 W/m²

	operation when directly connected to chimney	
	HAKA 78/57W+	HAKA 78/57WI+
Energy label	A+	A+
Operating data		
Nominal heat power / Power absorbed to water	22 / 10 kW	22 / 11 kW
Efficiency	> 80 %	> 80 %
Consumption of wood	6 kg/h	6 kg/h
Mass flow of flue gas	14,9 g/s	14,9 g/s
Required chimney pressure	12 Pa	12 Pa
Required amount of combustion air	60 m ³ /h	60 m ³ /h
Average flue gas temperature		
on the output	215 °C	215 °C
Heat distribution		
fireplace insert	24 %	20 %
door glass (single / double)	0 / 30 %	0 / 30 %
water	46 %	50 %
Water exchanger specifications		
Maximum working pressure	2,5 bar	2,5 bar
Minimum return water temperature	55 °C	55 °C
Water capacity	75 liter	75 liter
Connection input / output	1 / 1 G	1 / 1 G
Information for builds		
Minimal grill area supply / outgoing (with vent. grill)	600 / 700 cm ²	500 / 600 cm ²
Minimum radiant area ³ (without vent. grill)	3 m ²	3 m ²
Minimum distance from insulated areas / floor	40 / 0 mm	20 / 0 mm
Reference insulation ¹ ceiling / back wall / side wall / floor	120 / 80 / 80 / 0 mm	120 / 80 / 80 / 0 mm
Calciumsilicate insulation ² ceiling / back wall / side wall / floor	90 / 60 / 60 / 0 mm	90 / 60 / 60 / 0 mm
General technical information		
Total weight / lining weight	ca. 385 / 113 kg	ca. 400 / 113 kg
Burning chamber dimensions (width x depth)	705 x 305 mm	
Combustion air connection	Ø 150 mm	
Use in non-ventilated accumulation builds according to craft rules	suitable	
Tested according to	EN 13229	
Meets values	1. BlmSchV (Stufe2), 15a BVG	

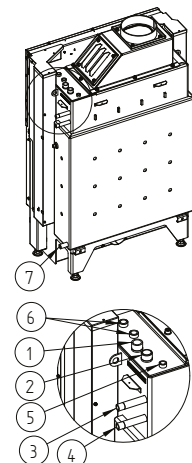
Nr.	Thread size	Description
1	G 1" (AG)	Water supply from heating system - min. 55°C
2	G 1" (AG)	Hot water supply to heating system
3	G 1/2" (AG)	Water supply from the waterlines into the cooling loop
4	G 1/2" (AG)	Discharge of water from the cooling loop into the waste
5	G 3/8" (IG)	Pocket for air vent valve
6	G 1/2" (IG)	Pocket for thermal sensors
7	G 1/2" (IG)	Discharge valve

1 Mineral wool according to AGI-Q 132

2 Example SkamoEnclousure Board 225 kg/m³

3 Depends on accumulation period and material characteristics.

Listed values calculated with chamotte stone thickness 30 mm with radiant area 500 W/m²

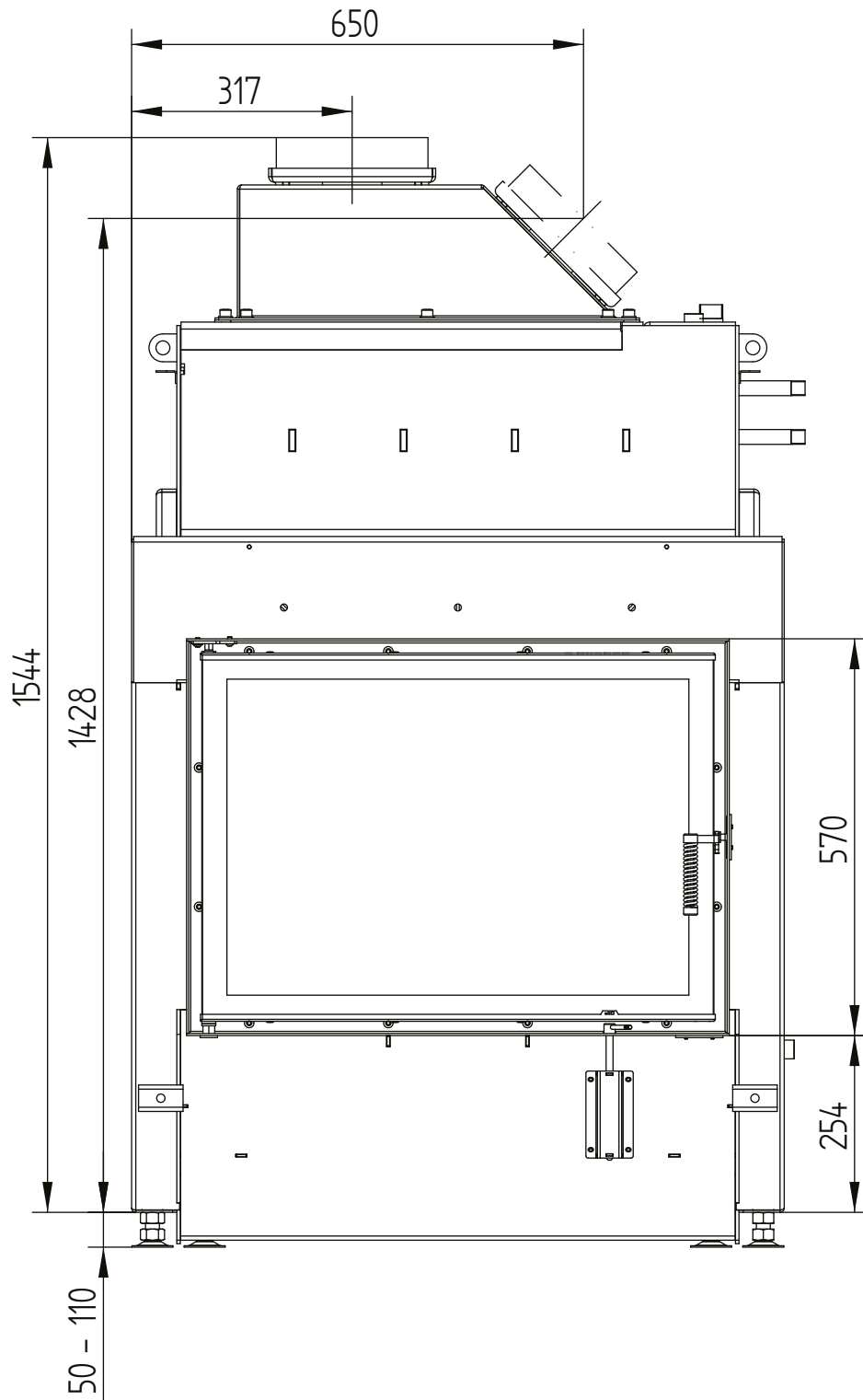


HAKA 78/57W

Technical data
Version 2019/08

HAKA 78/57W, HAKA 78/57W+ / air intake / feet

M 1:10

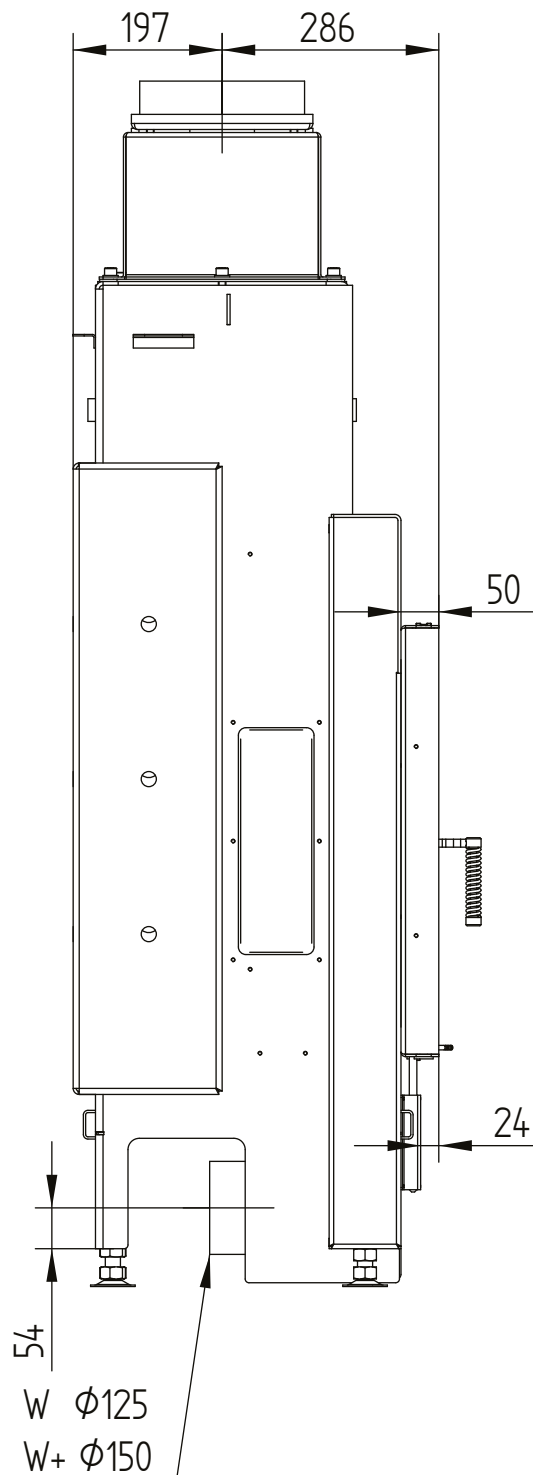


HAKA 78/57W

Technical data
Version 2019/08

HAKA 78/57W, HAKA 78/57W+ / air intake / feet

M 1:10

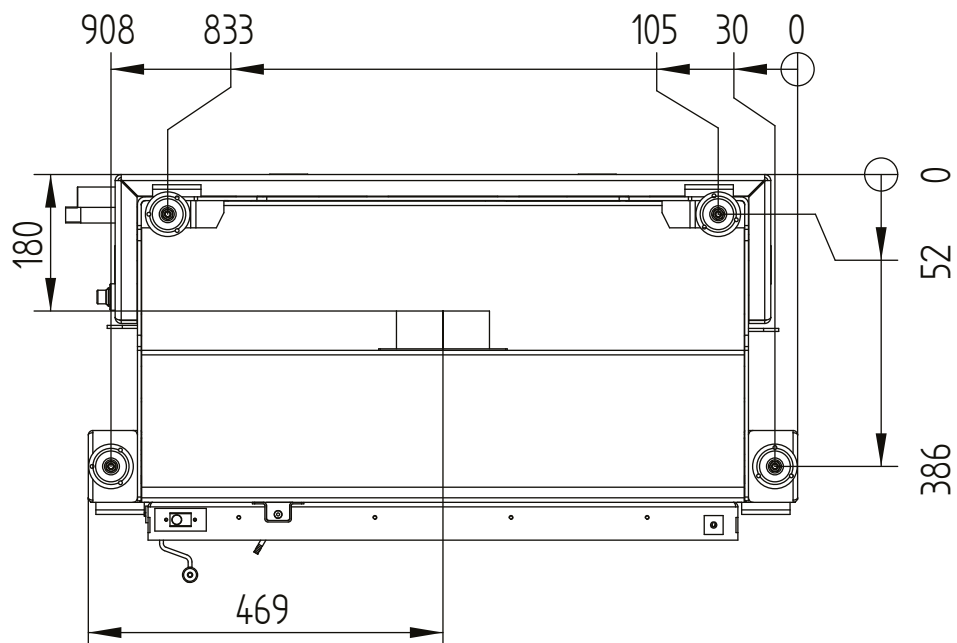
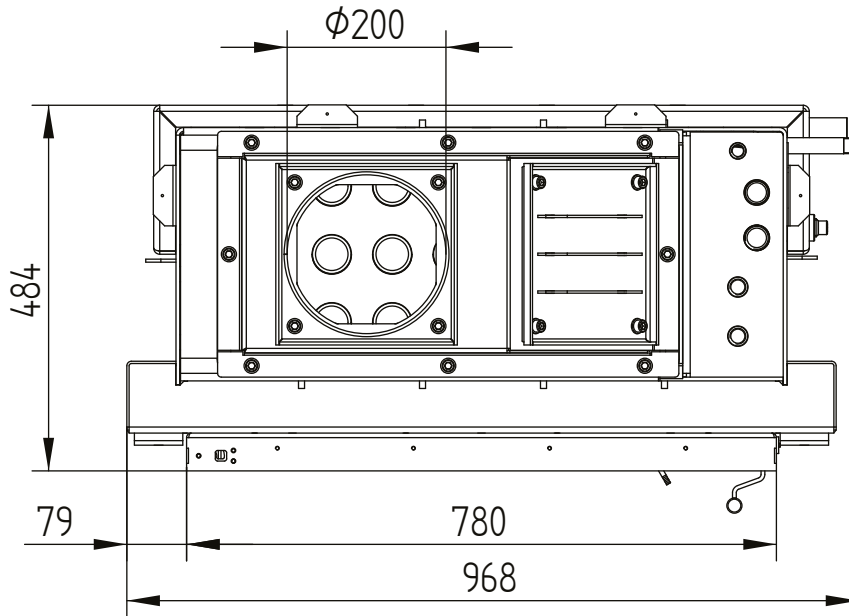


HAKA 78/57W

Technical data
Version 2019/08

HAKA 78/57W, HAKA 78/57W+ / air intake / feet

M 1:10

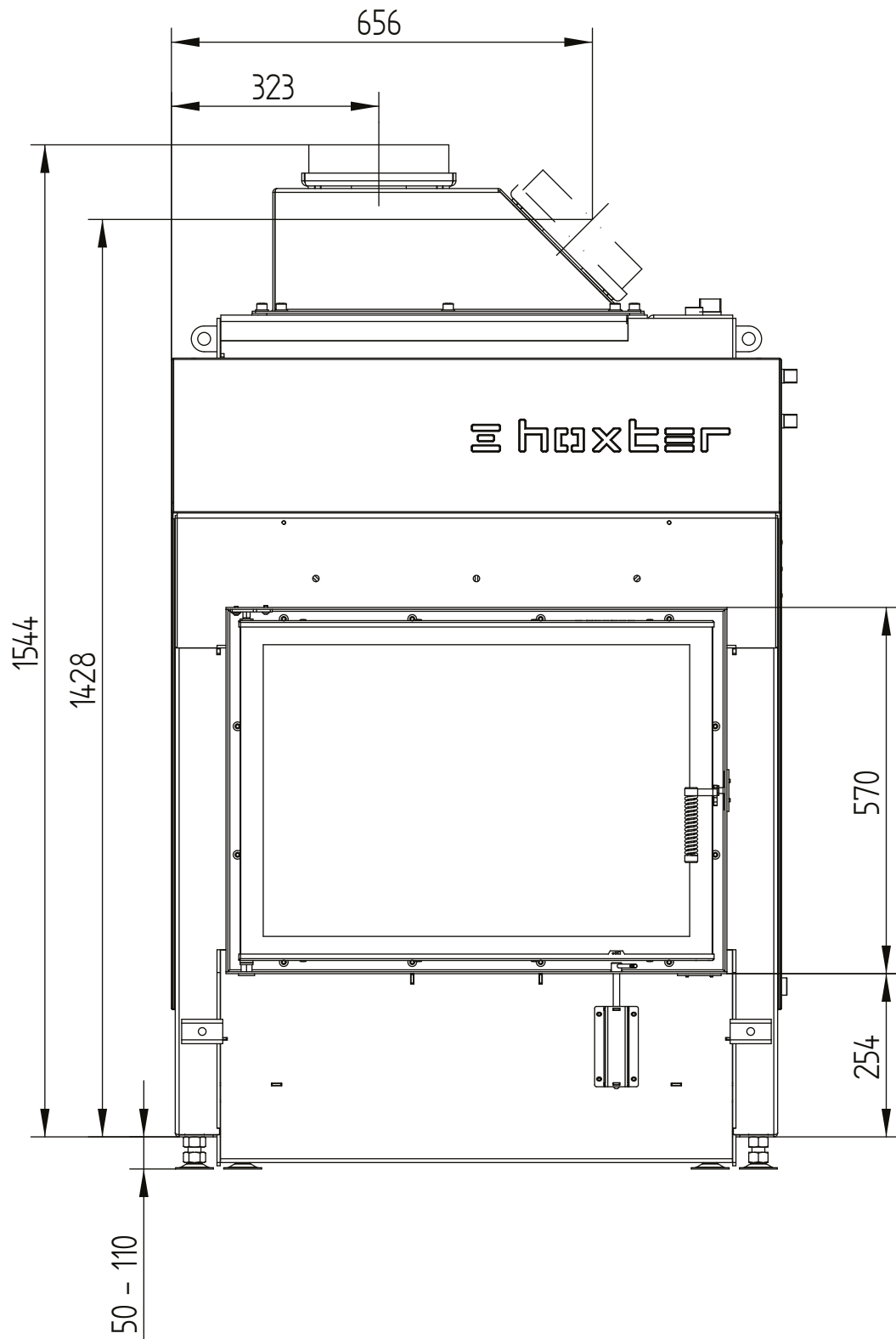


HAKA 78/57W

Technical data
Version 2019/08

HAKA 78/57WI, HAKA 78/57WI+ / air intake / feet

M 1:10

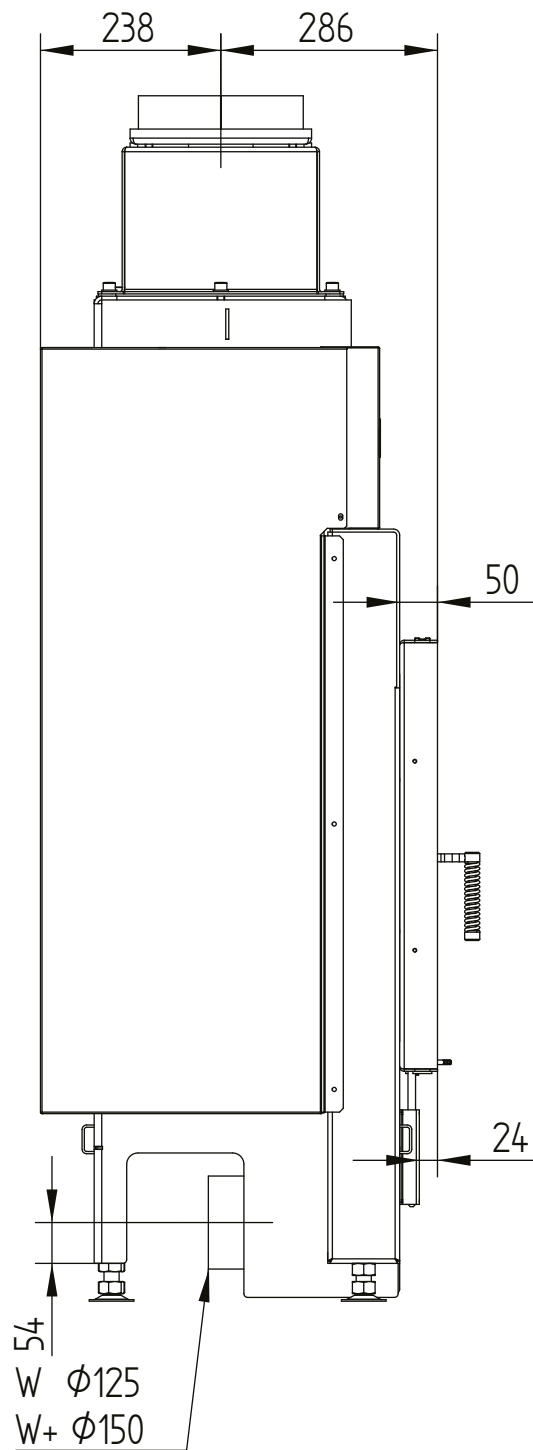


HAKA 78/57W

Technical data
Version 2019/08

HAKA 78/57WI, HAKA 78/57WI+ / air intake / feet

M 1:10

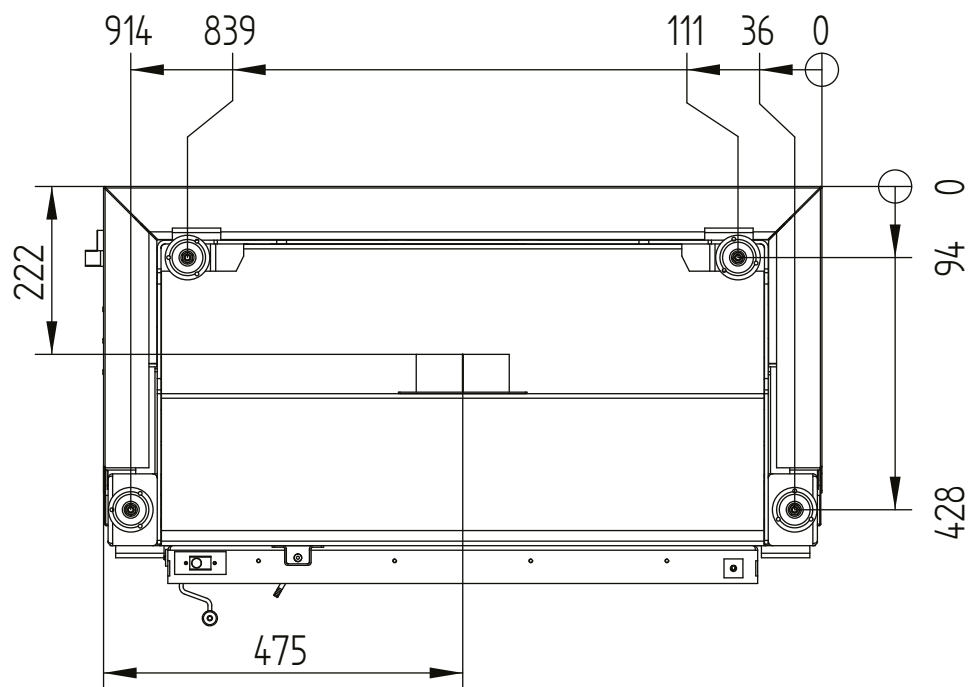
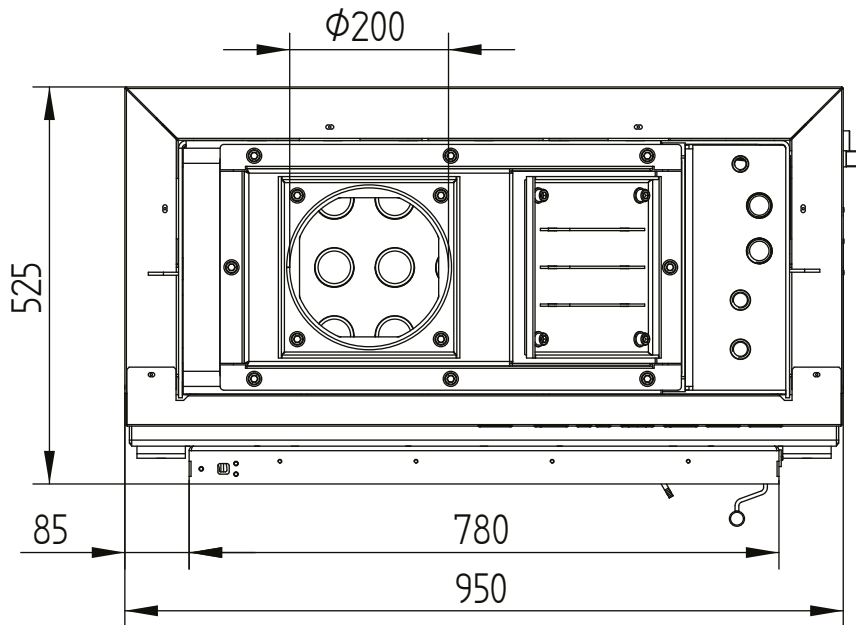


HAKA 78/57W

Technical data
Version 2019/08

HAKA 78/57WI, HAKA 78/57WI+ / air intake / feet

M 1:10

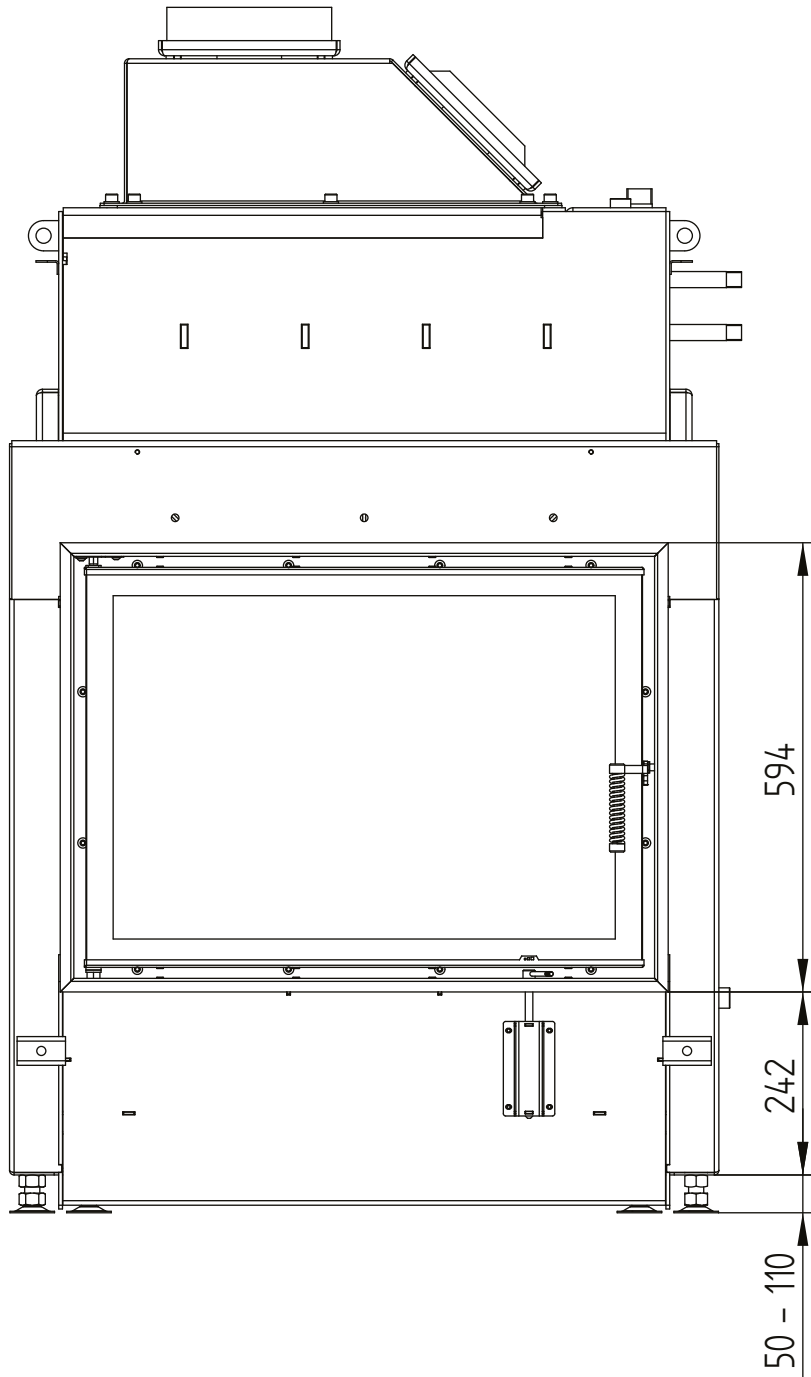


HAKA 78/57W

Technical data
Version 2019/08

cover frame 78/57 4sides 50 mm 1 x 90°

M 1:10

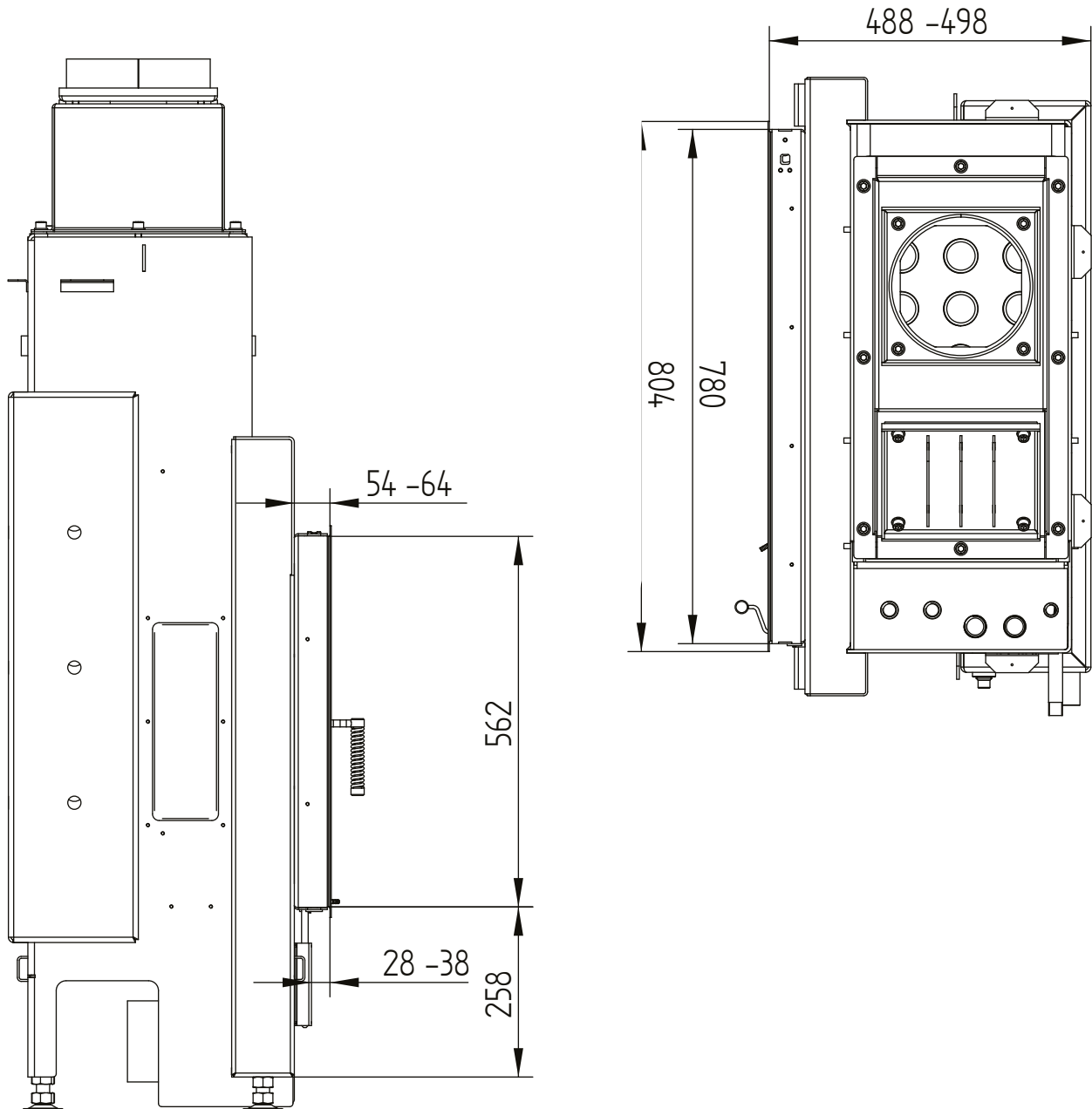


HAKA 78/57W

Technical data
Version 2019/08

cover frame 78/57 4sides 50 mm 1 x 90°

M 1:10

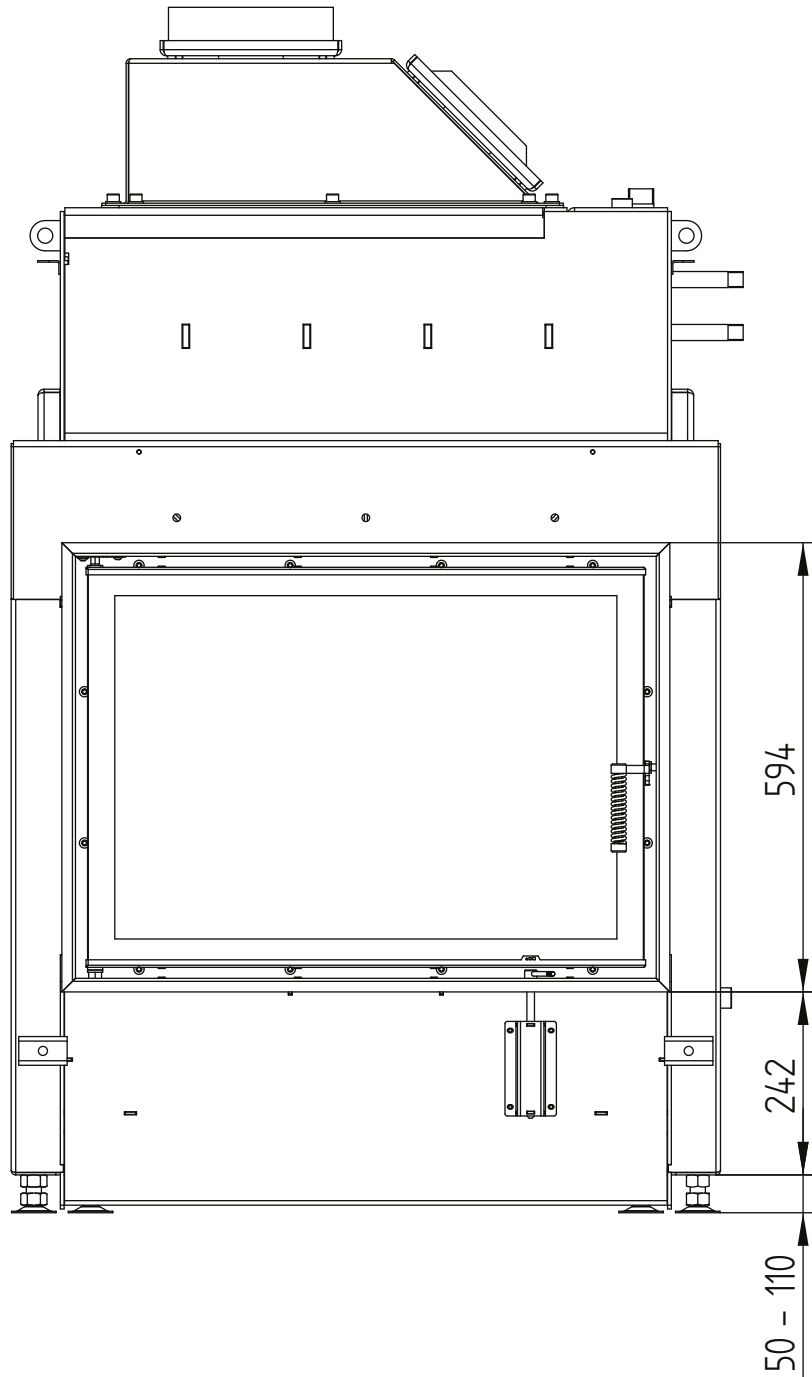


HAKA 78/57W

Technical data
Version 2019/08

cover frame 78/57h 4sides 80 mm 1 x 90°

M 1:10

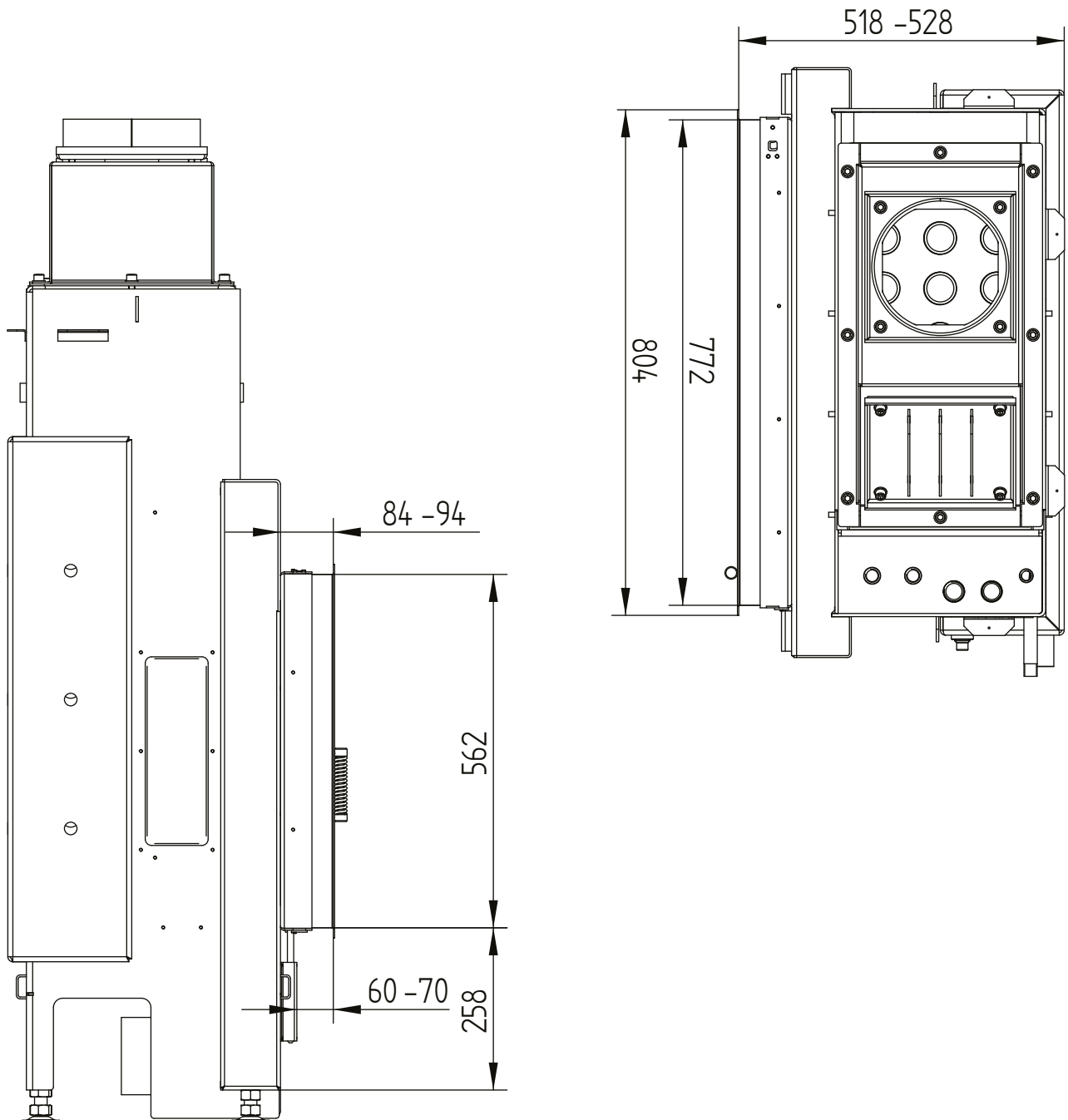


HAKA 78/57W

Technical data
Version 2019/08

cover frame 78/57h 4sides 80 mm 1 x 90°

M 1:10



HAKA 78/57W

Technical data
Version 2019/08

build-on frame 78/57 4sides 80 mm

M 1:10

