

	operation when directly connected to chimney	
	HAKA 63/51W	HAKA 63/51WI
Energy label	A+	A+
Operating data		
Nominal heat power / Power absorbed to water	14,5 / 10 kW	14,5 / 11,3 kW
Efficiency	> 80 %	> 80 %
Consumption of wood	4 kg/h	4 kg/h
Mass flow of flue gas	13 g/s	13 g/s
Required chimney pressure	12 Pa	12 Pa
Required amount of combustion air	40 m ³ /h	40 m ³ /h
Average flue gas temperature		
on the output	225 °C	225 °C
Heat distribution		
fireplace insert	18 %	8 %
door glass (single / double)	0 / 17 %	0 / 17 %
water	65 %	75 %
Water exchanger specifications		
Maximum working pressure	2,5 bar	2,5 bar
Minimum return water temperature	55 °C	55 °C
Water capacity	60 liter	60 liter
Connection input / output	1 / 1 G	1 / 1 G
Information for builds		
Minimal grill area supply / outgoing (with vent. grill)	350 / 400 cm ²	300 / 350 cm ²
Minimum radiant area ³ (without vent. grill)	2 m ²	2 m ²
Minimum distance from insulated areas / floor	40 / 0 mm	20 / 0 mm
Reference insulation ¹ ceiling / back wall / side wall / floor	100 / 60 / 60 / 0 mm	80 / 40 / 40 / 0 mm
Calciumsilicate insulation ² ceiling / back wall / side wall / floor	75 / 45 / 45 / 0 mm	60 / 25 / 25 / 0 mm
General technical information		
Total weight / lining weight	ca. 322 / 96 kg	ca. 330 / 96 kg
Burning chamber dimensions (width x depth)	305 x 355 mm	
Combustion air connection	Ø 125 mm	
Use in non-ventilated accumulation builds according to craft rules	suitable	
Tested according to	EN 13229	
Meets values	1. BlmSchV (Stufe2), 15a BVG	

1 Mineral wool according to AGI-Q 132

2 Example SkamoEnclosure Board 225 kg/m³

3 Depends on accumulation period and material characteristics.

Listed values calculated with chamotte stone thickness 30 mm with radiant area 500 W/m²

	operation when directly connected to chimney	
	HAKA 63/51W+	HAKA 63/51WI+
Energy label	A+	A+
Operating data		
Nominal heat power / Power absorbed to water	22 / 13,2 kW	22 / 15,4 kW
Efficiency	> 80 %	> 80 %
Consumption of wood	6 kg/h	6 kg/h
Mass flow of flue gas	17 g/s	17 g/s
Required chimney pressure	12 Pa	12 Pa
Required amount of combustion air	60 m ³ /h	60 m ³ /h
Average flue gas temperature		
on the output	250 °C	250 °C
Heat distribution		
fireplace insert	20 %	10 %
door glass (single / double)	0 / 20 %	0 / 20 %
water	60 %	70 %
Water exchanger specifications		
Maximum working pressure	2,5 bar	2,5 bar
Minimum return water temperature	55 °C	55 °C
Water capacity	60 liter	60 liter
Connection input / output	1 / 1 G	1 / 1 G
Information for builds		
Minimal grill area supply / outgoing (with vent. grill)	600 / 700 cm ²	500 / 600 cm ²
Minimum radiant area ³ (without vent. grill)	2 m ²	2 m ²
Minimum distance from insulated areas / floor	40 / 0 mm	20 / 0 mm
Reference insulation ¹ ceiling / back wall / side wall / floor	80 / 40 / 40 / 0 mm	80 / 40 / 40 / 0 mm
Calciumsilicate insulation ² ceiling / back wall / side wall / floor	60 / 25 / 25 / 0 mm	60 / 25 / 25 / 0 mm
General technical information		
Total weight / lining weight	ca. 322 / 96 kg	ca. 330 / 96 kg
Burning chamber dimensions (width x depth)	305 x 355 mm	
Combustion air connection	Ø 150 mm	
Use in non-ventilated accumulation builds according to craft rules	suitable	
Tested according to	EN 13229	
Meets values	1. BlmSchV (Stufe2), 15a BVG	

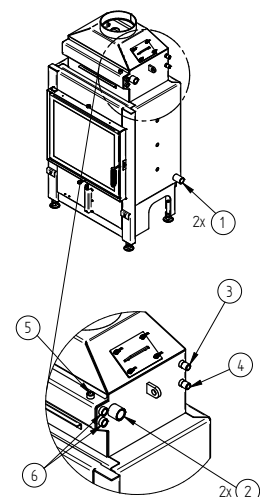
Nr.	Thread size		Description
	63/51W, WI	63/51W+, WI+	
1	G 1" (IG)	G 1 1/2" (IG)	Rücklauf des waters aus dem Heizungssystem – Mindesttemperatur 55°C
2	G 1" (IG)	G 1 1/2" (IG)	Hot water supply to heating system
3	G 1/2" (AG)	G 1/2" (AG)	Water supply from the waterlines into the cooling loop
4	G 1/2" (AG)	G 1/2" (AG)	Discharge of water from the cooling loop into the waste
5	G 3/8" (IG)	G 3/8" (IG)	Pocket for air vent valve
6	G 1/2" (IG)	G 1/2" (IG)	Pocket for thermal sensors

1 Mineral wool according to AGI-Q 132

2 Example SkamoEnclousure Board 225 kg/m³

3 Depends on accumulation period and material characteristics.

Listed values calculated with chamotte stone thickness 30 mm with radiant area 500 W/m²

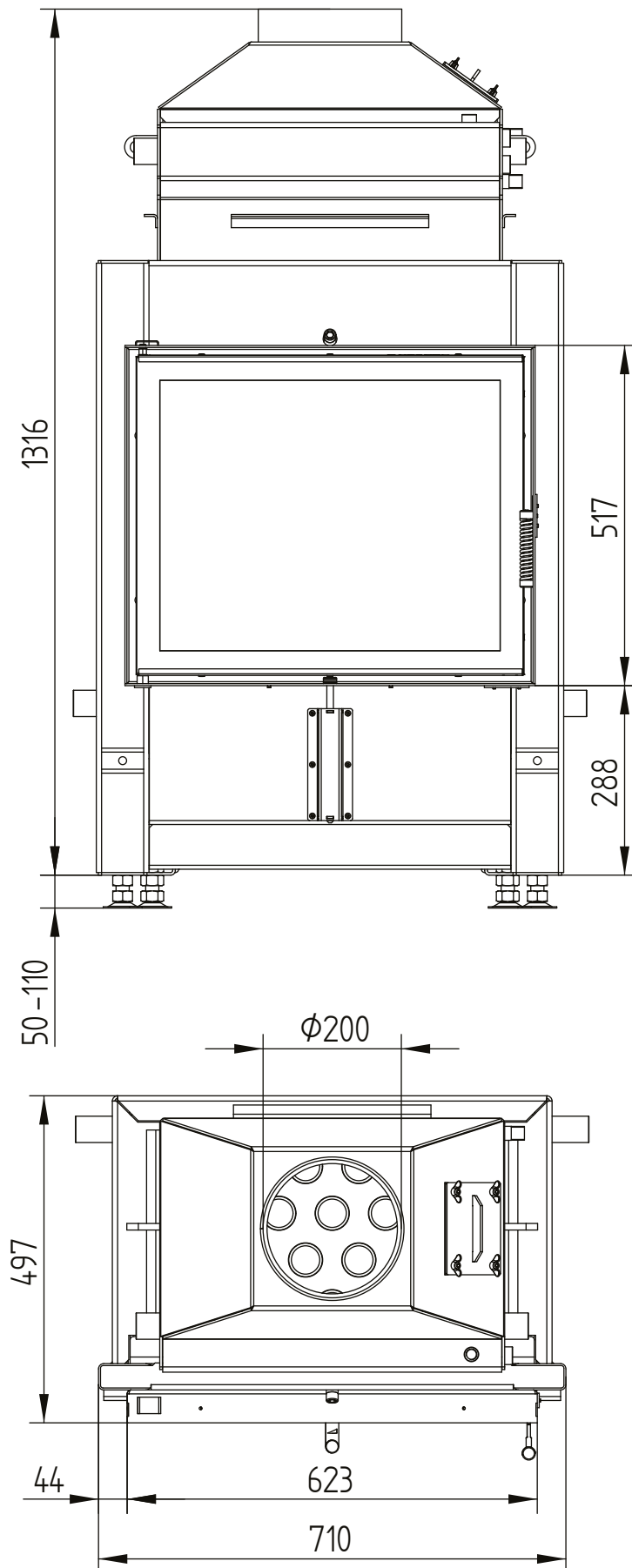


HAKA 63/51W

Technical data
Version 2019/08

HAKA 63/51W, HAKA 63/51W+ / air intake / feet

M 1:10

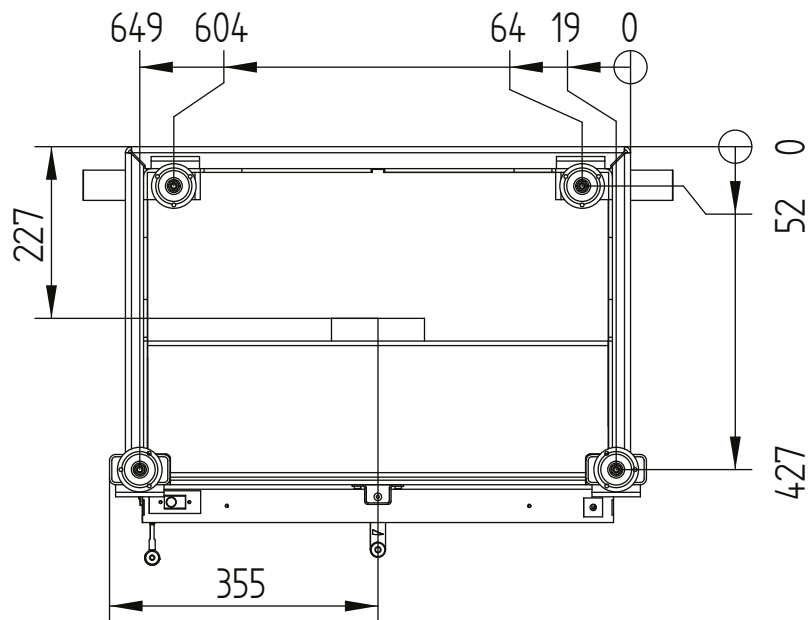
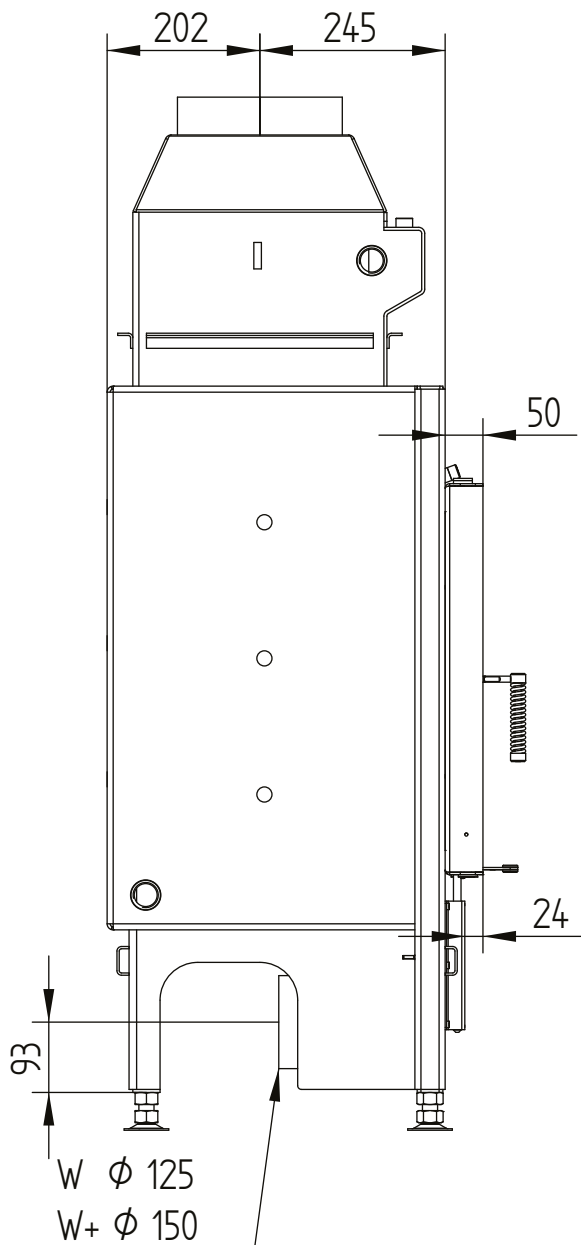


HAKA 63/51W

Technical data
Version 2019/08

HAKA 63/51W, HAKA 63/51W+ / air intake / feet

M 1:10

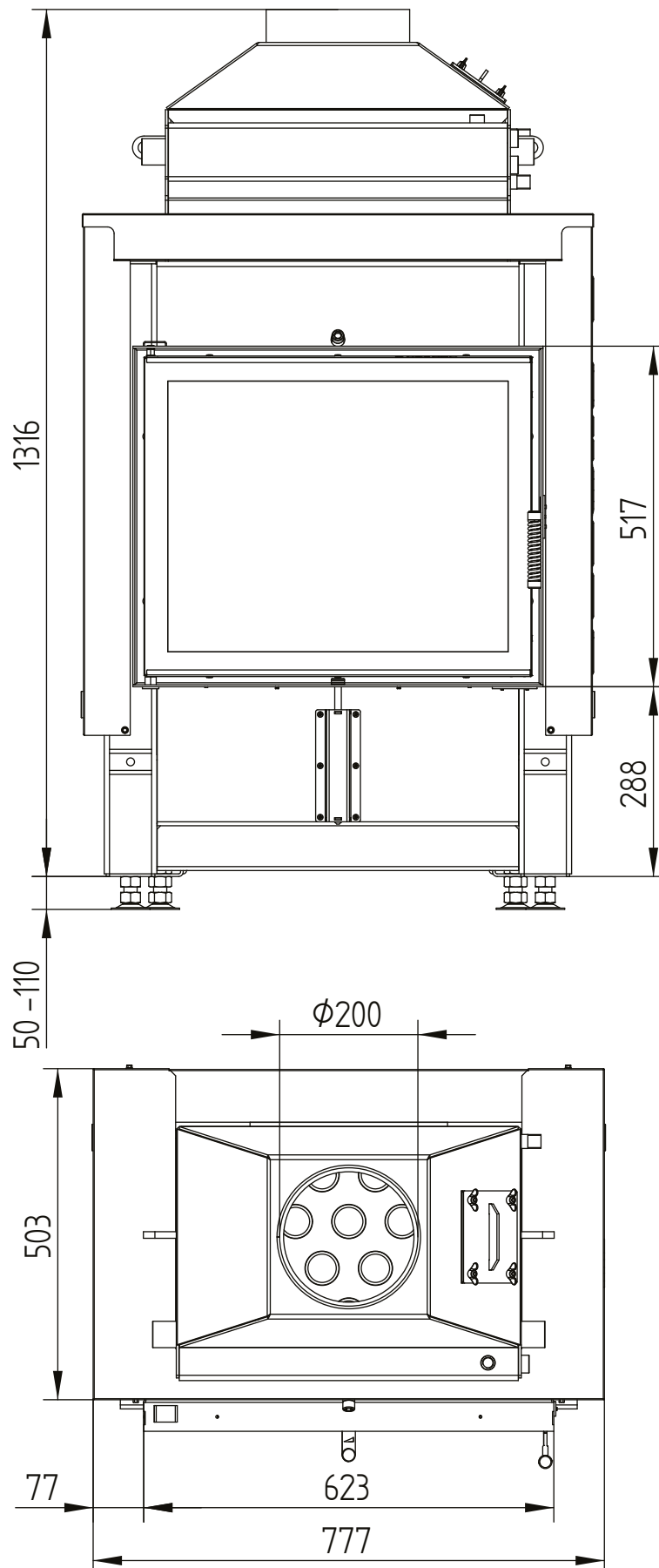


HAKA 63/51W

Technical data
Version 2019/08

HAKA 63/51WI, HAKA 63/51WI+ / air intake / feet

M 1:10

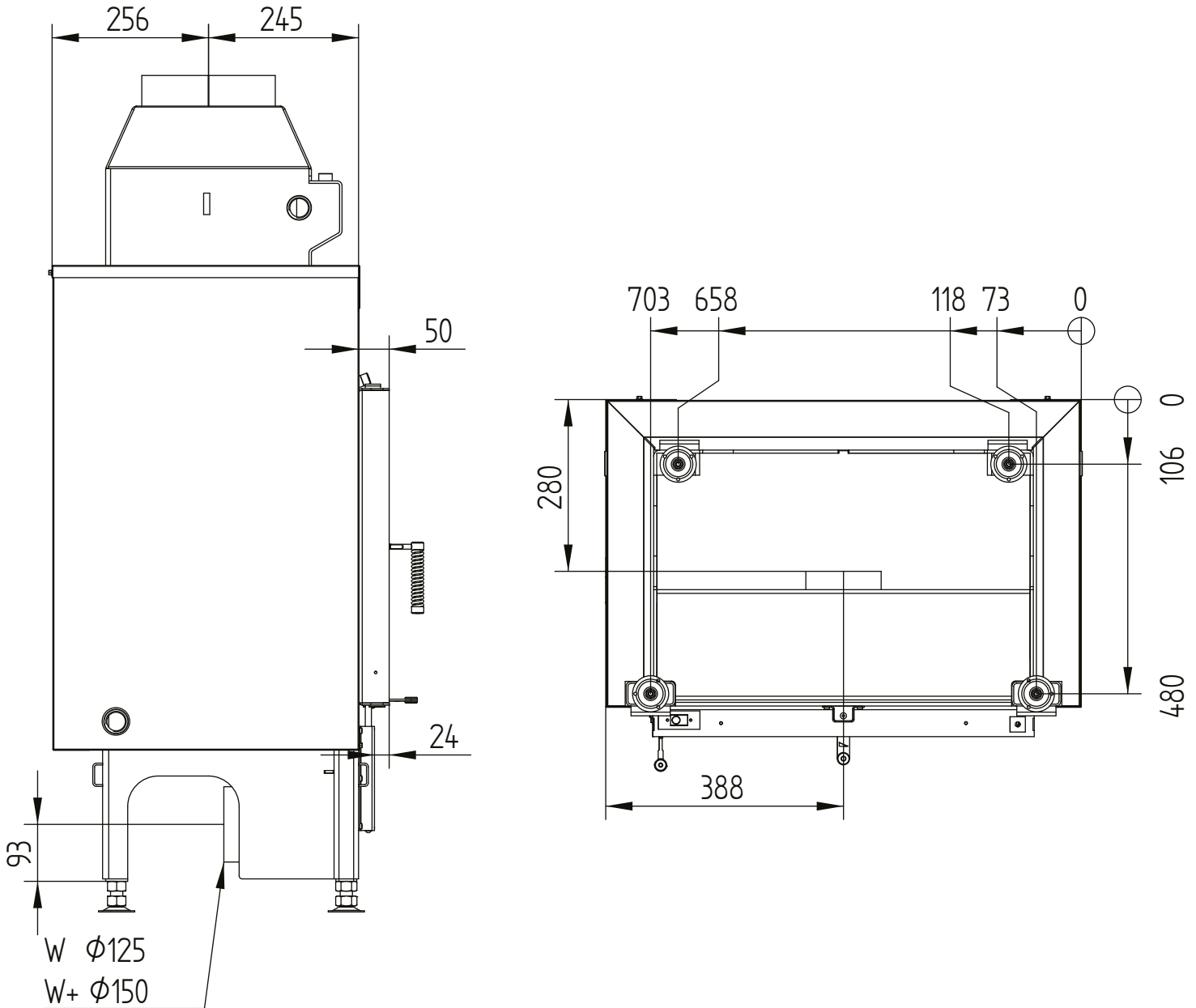


HAKA 63/51W

Technical data
Version 2019/08

HAKA 63/51WI, HAKA 63/51WI+ / air intake / feet

M 1:10

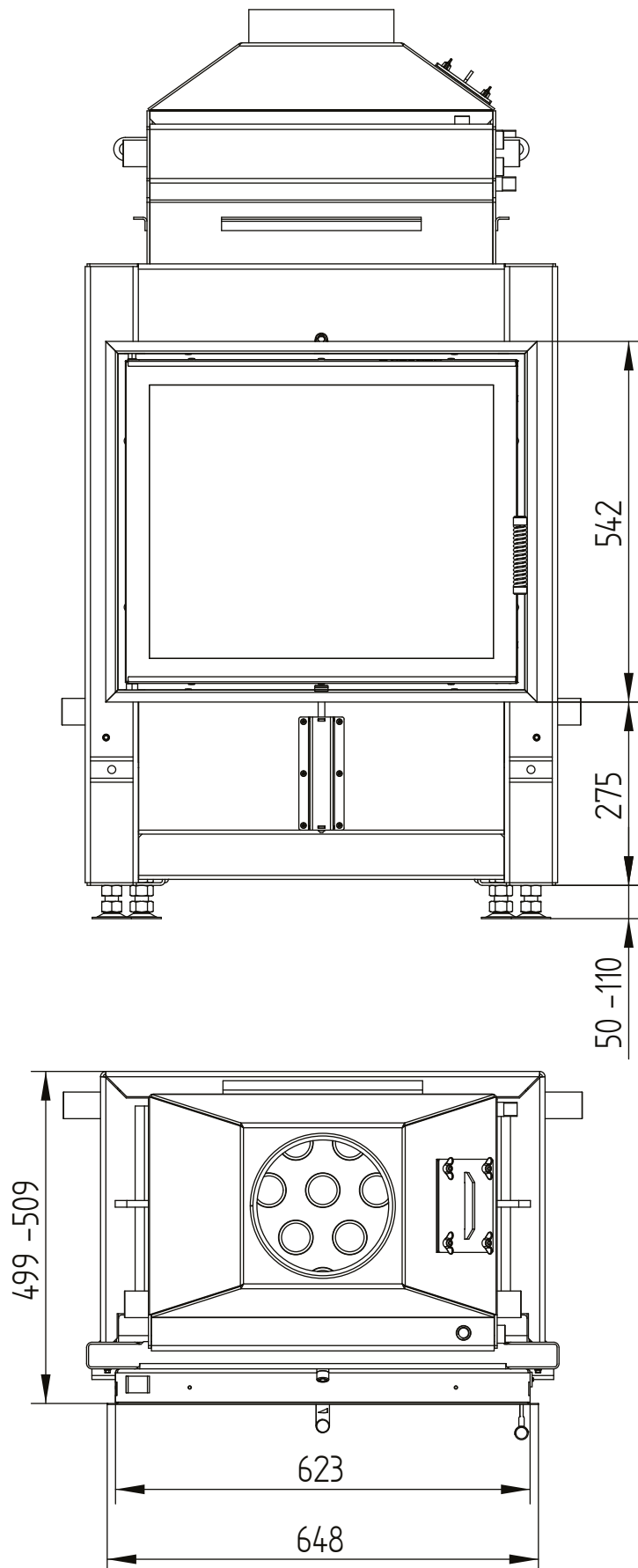


HAKA 63/51W

Technical data
Version 2019/08

cover frame 63/51 4sides 50 mm 1 x 90°

M 1:10

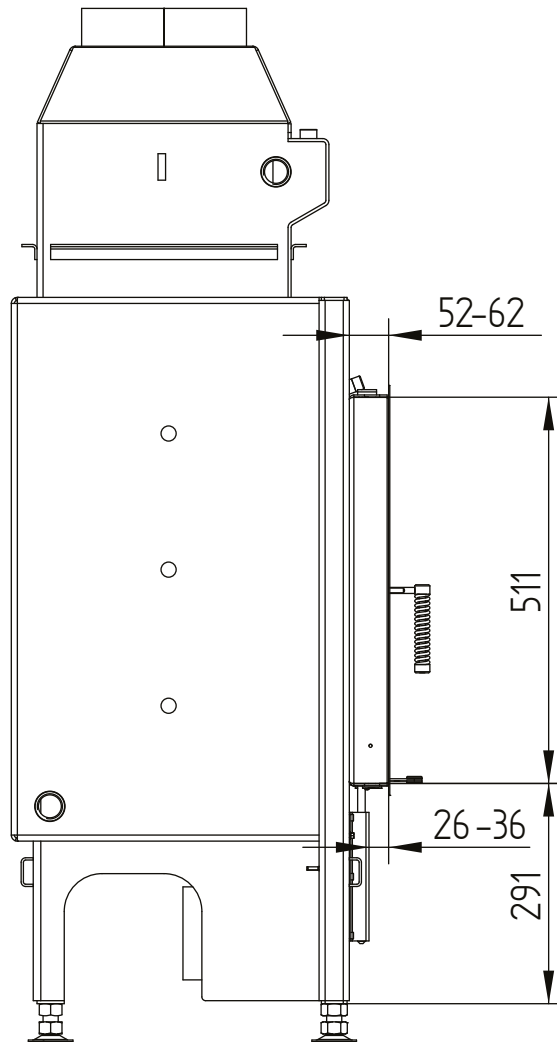


HAKA 63/51W

Technical data
Version 2019/08

cover frame 63/51 4sides 50 mm 1 x 90°

M 1:10

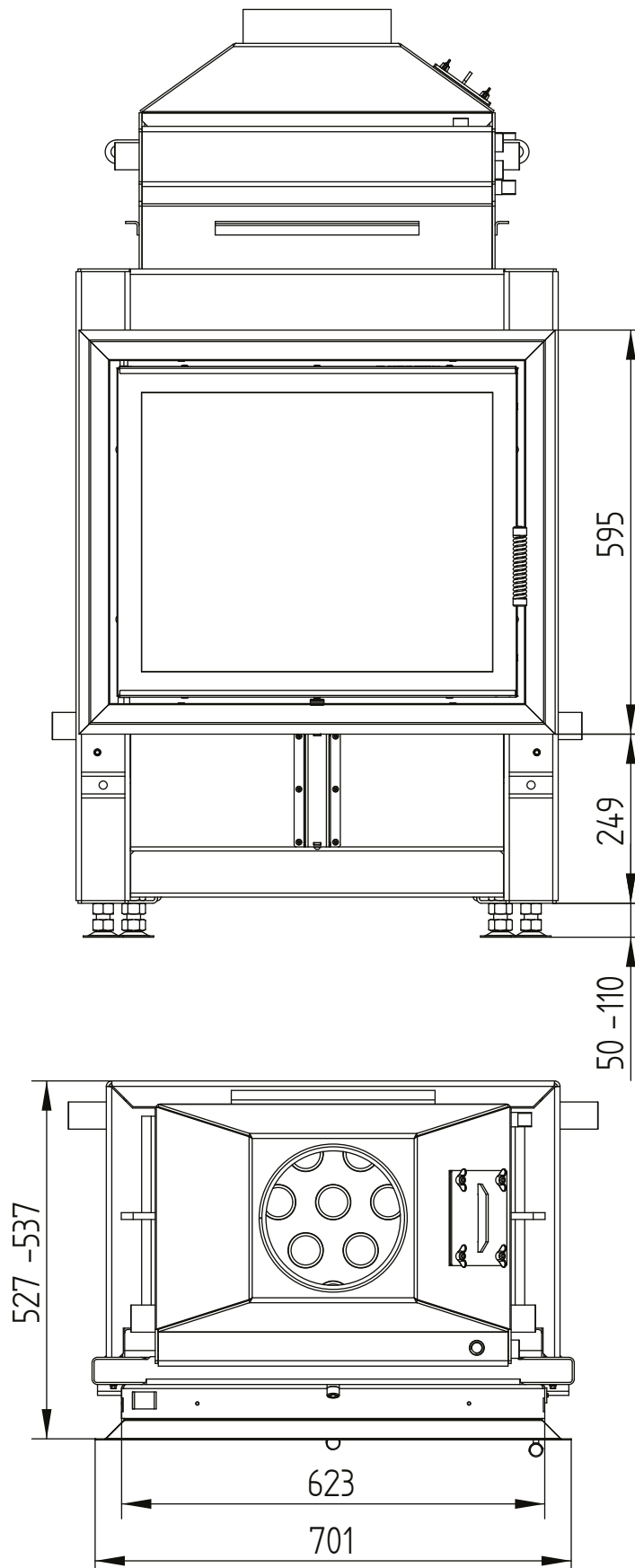


HAKA 63/51W

Technical data
Version 2019/08

cover frame 63/51 4sides 80 mm 2 x 45°

M 1:10



HAKA 63/51W

Technical data
Version 2019/08

cover frame 63/51 4sides 80 mm 2 x 45°

M 1:10

