

GT2 51/51/51L left

Technical data
Version 2019/08

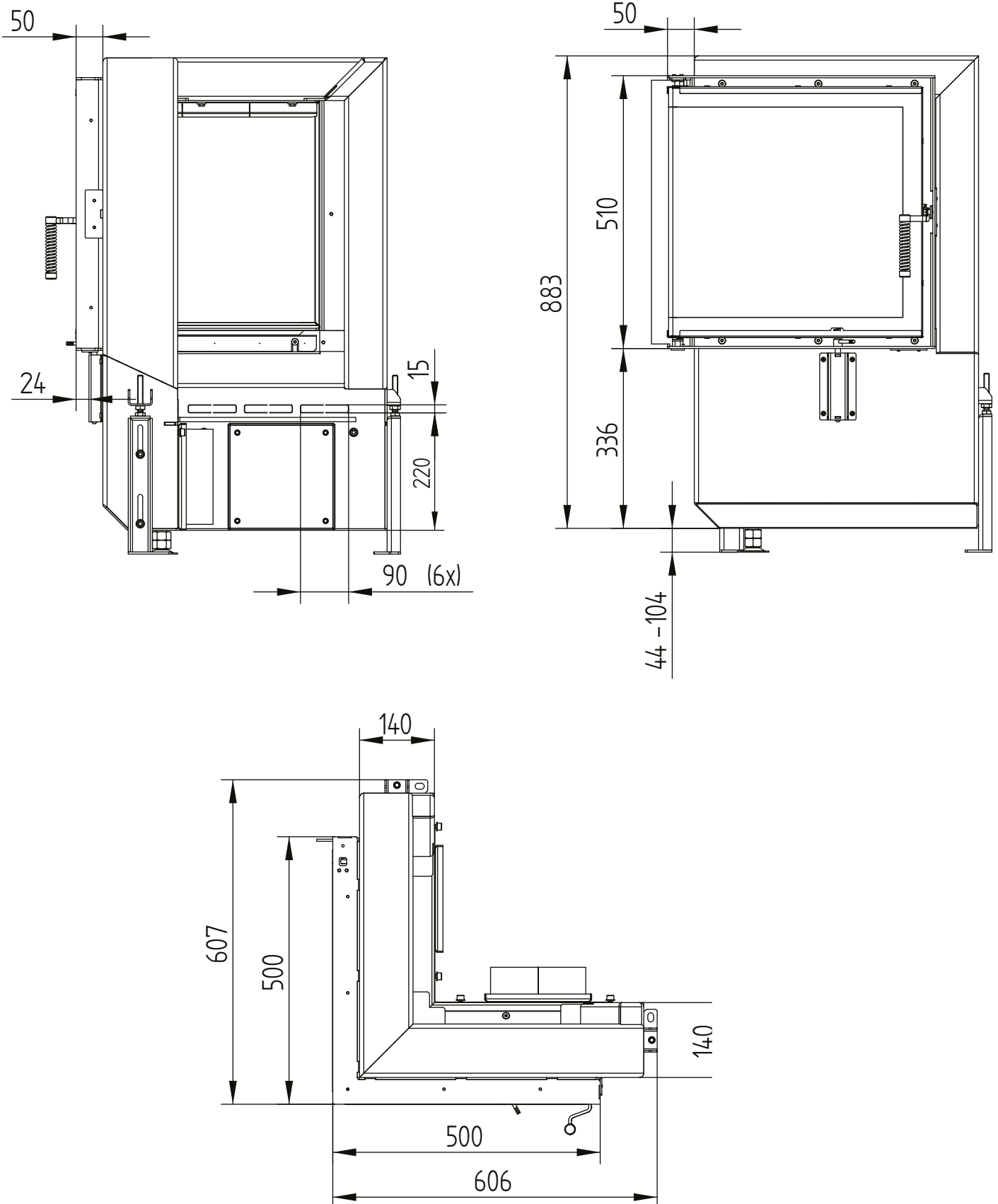
General technical information	
Recommended wood load	10 kg
Maximum cross-section of the supply air connection	220 cm ²
Combustion air connection	1 × Ø 180 mm
Free glass area	3 556 cm ²

GT2 51/51/51L left

Technical data
Version 2019/08

left

M 1:10

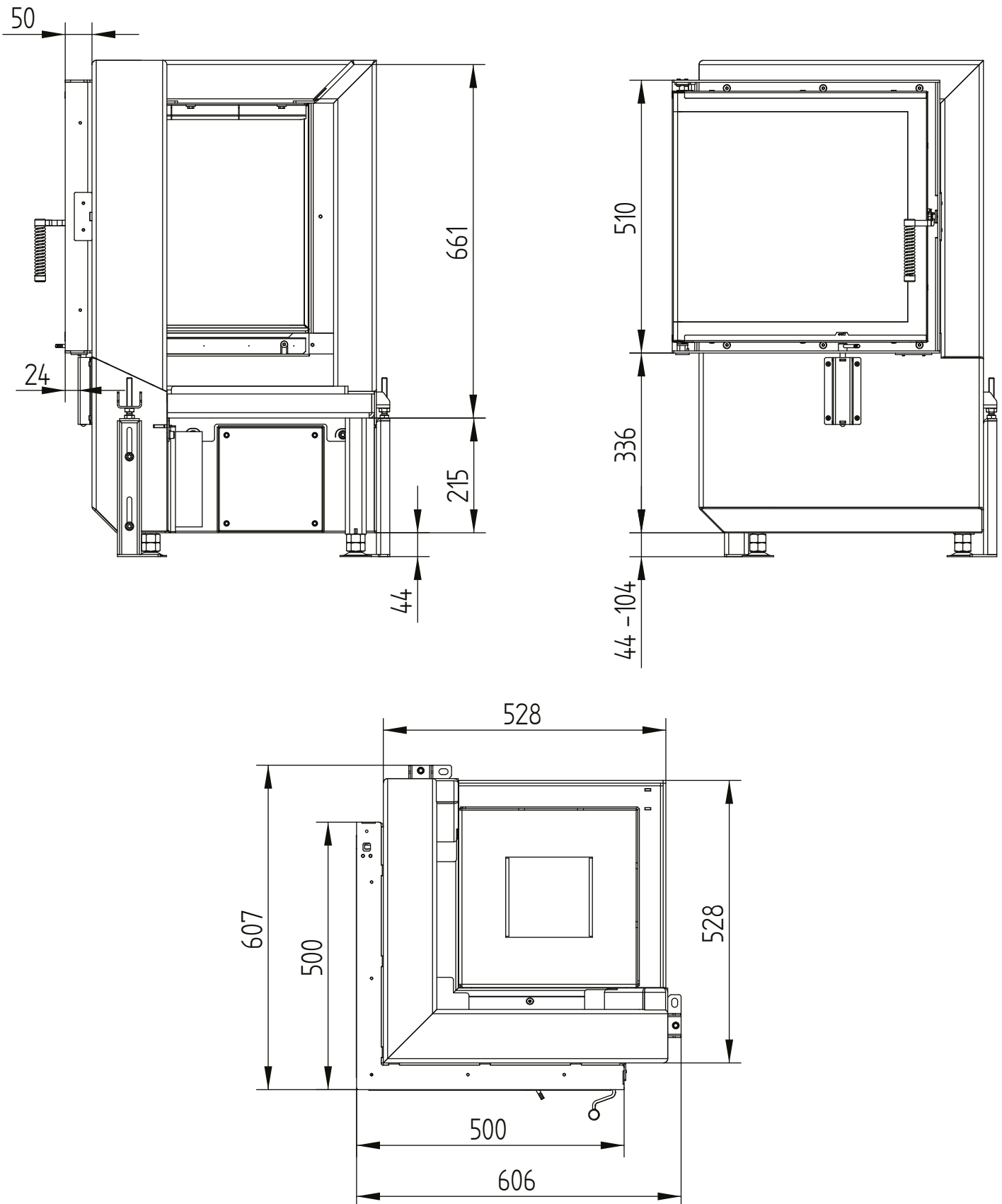


GT2 51/51/51L left

Technical data
Version 2019/08

with base

M 1:10

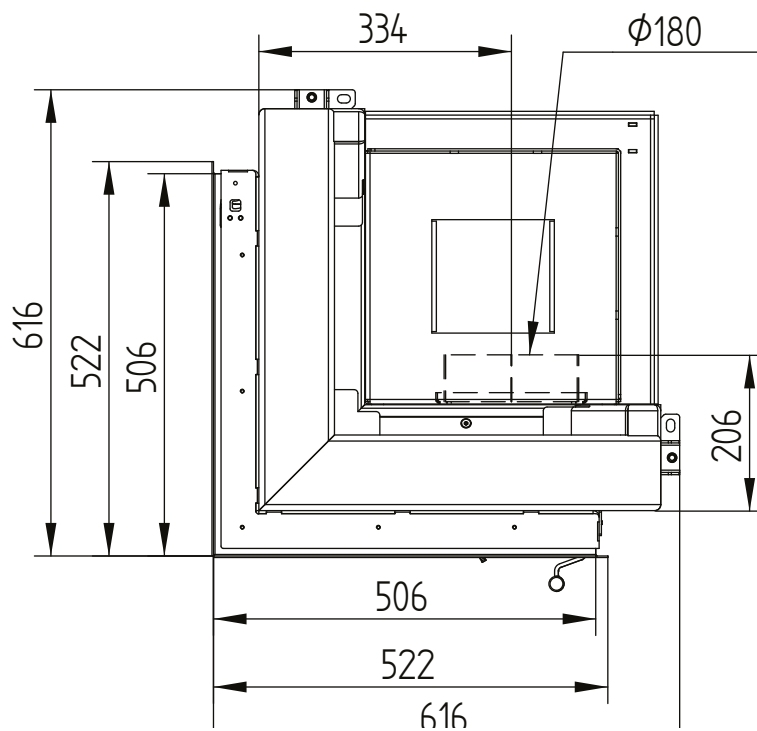
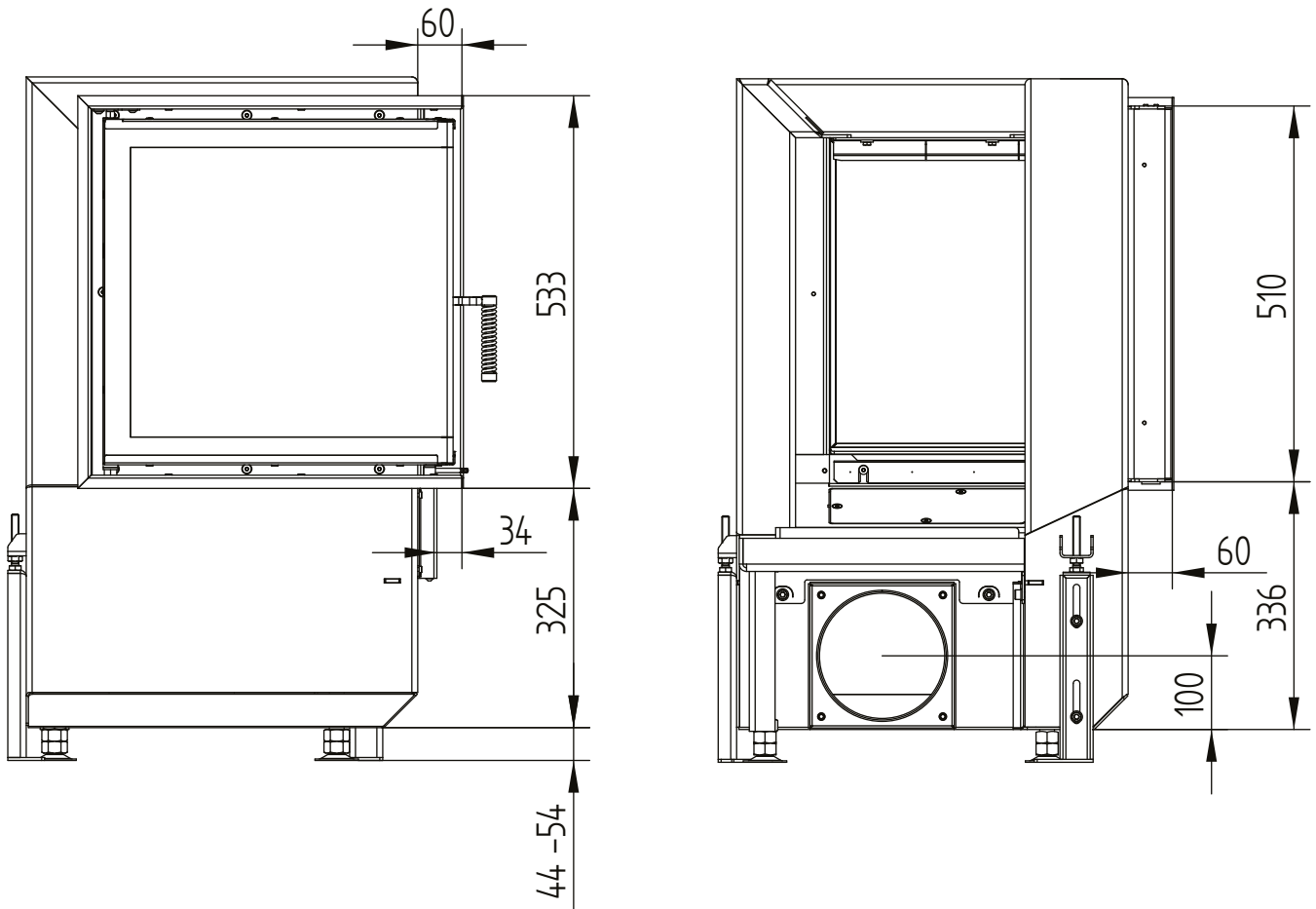


GT2 51/51/51L left

Technical data
Version 2019/08

cover frame 51/51/51L left 6sides 1 x 90° 60 mm / air connection

M 1:10

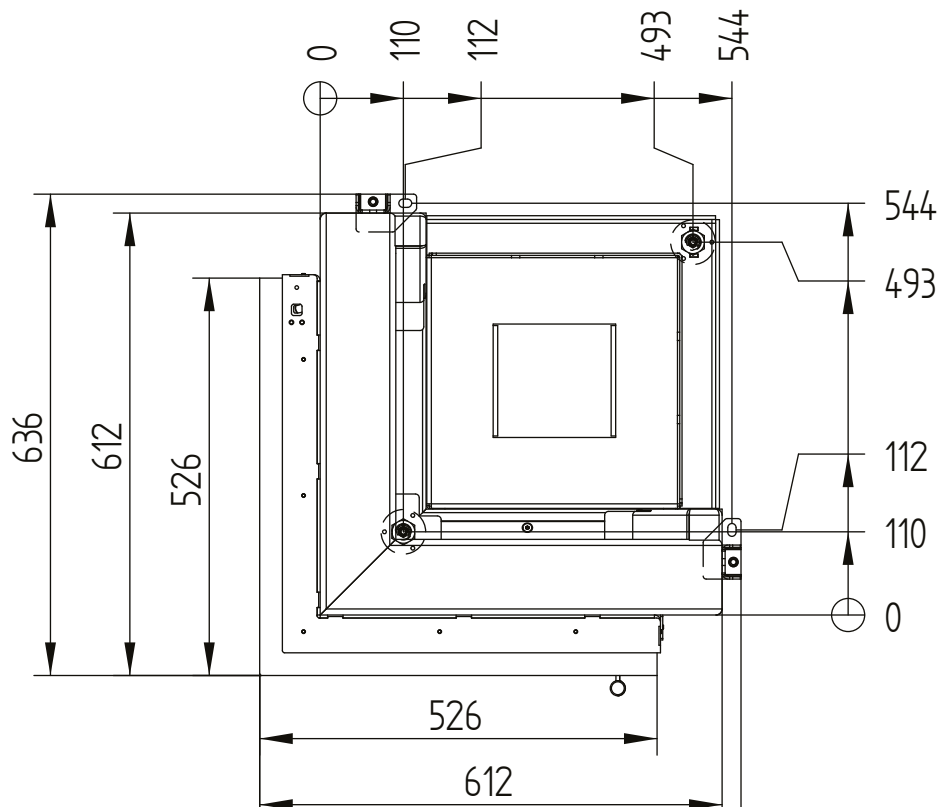
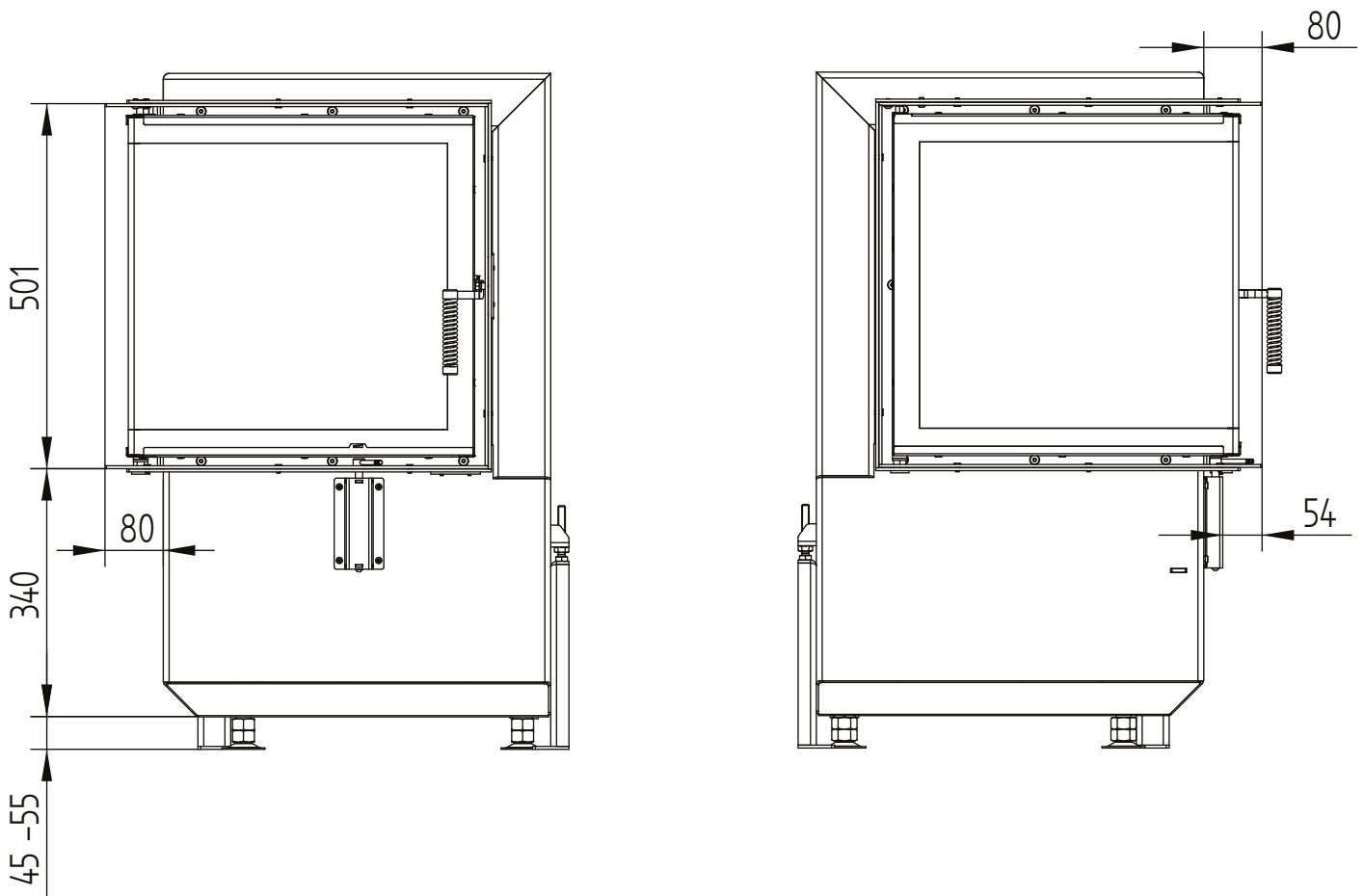


GT2 51/51/51L left

Technical data
Version 2019/08

build-on frame 51/51/51L left 6sides 80 mm / feet

M 1:10



GT2 51/51/51R right

Technical data
Version 2019/08

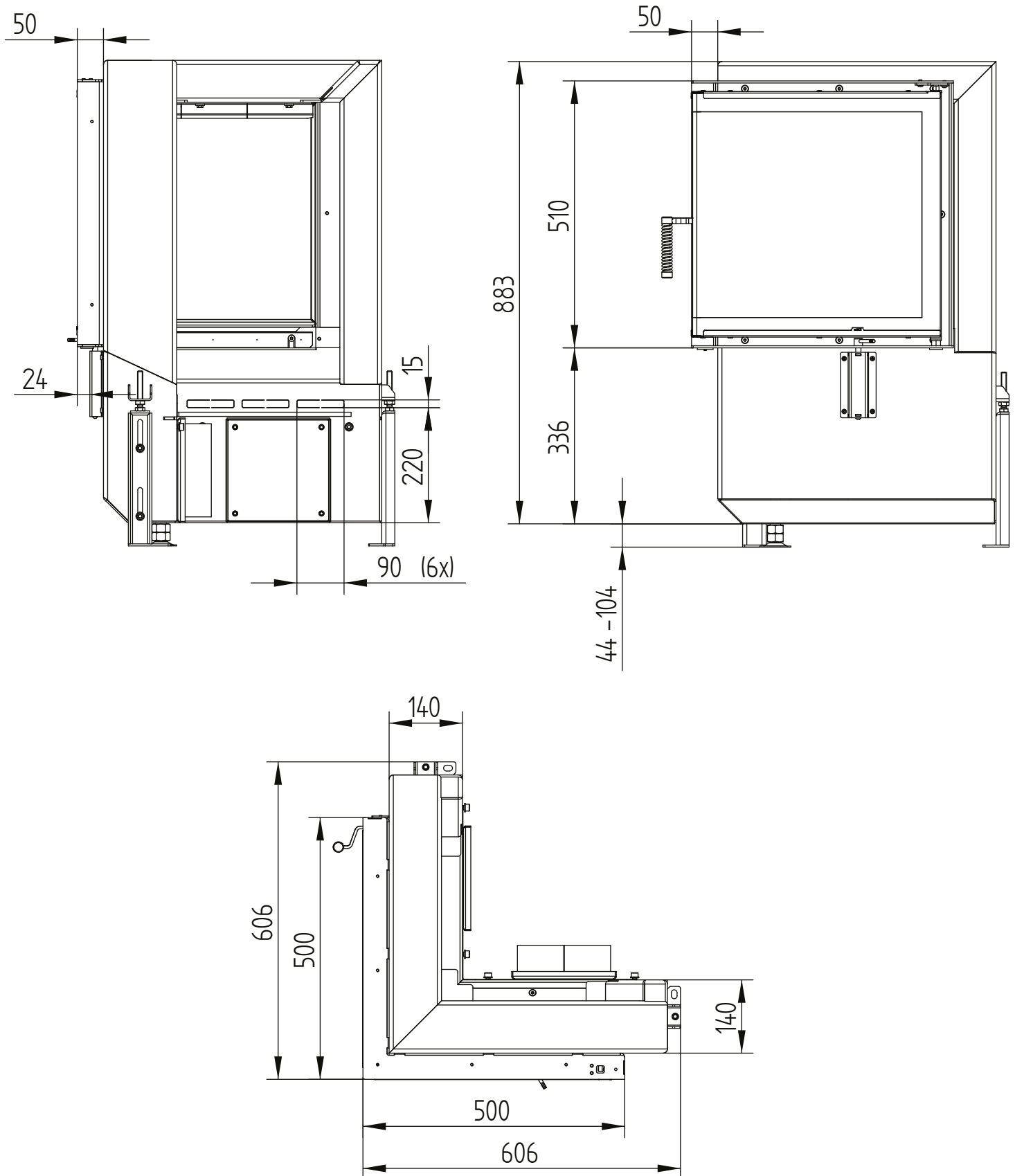
General technical information	
Recommended wood load	10 kg
Maximum cross-section of the supply air connection	220 cm ²
Combustion air connection	1 × Ø 180 mm
Free glass area	3 556 cm ²

GT2 51/51/51R right

Technical data
Version 2019/08

right

M 1:10

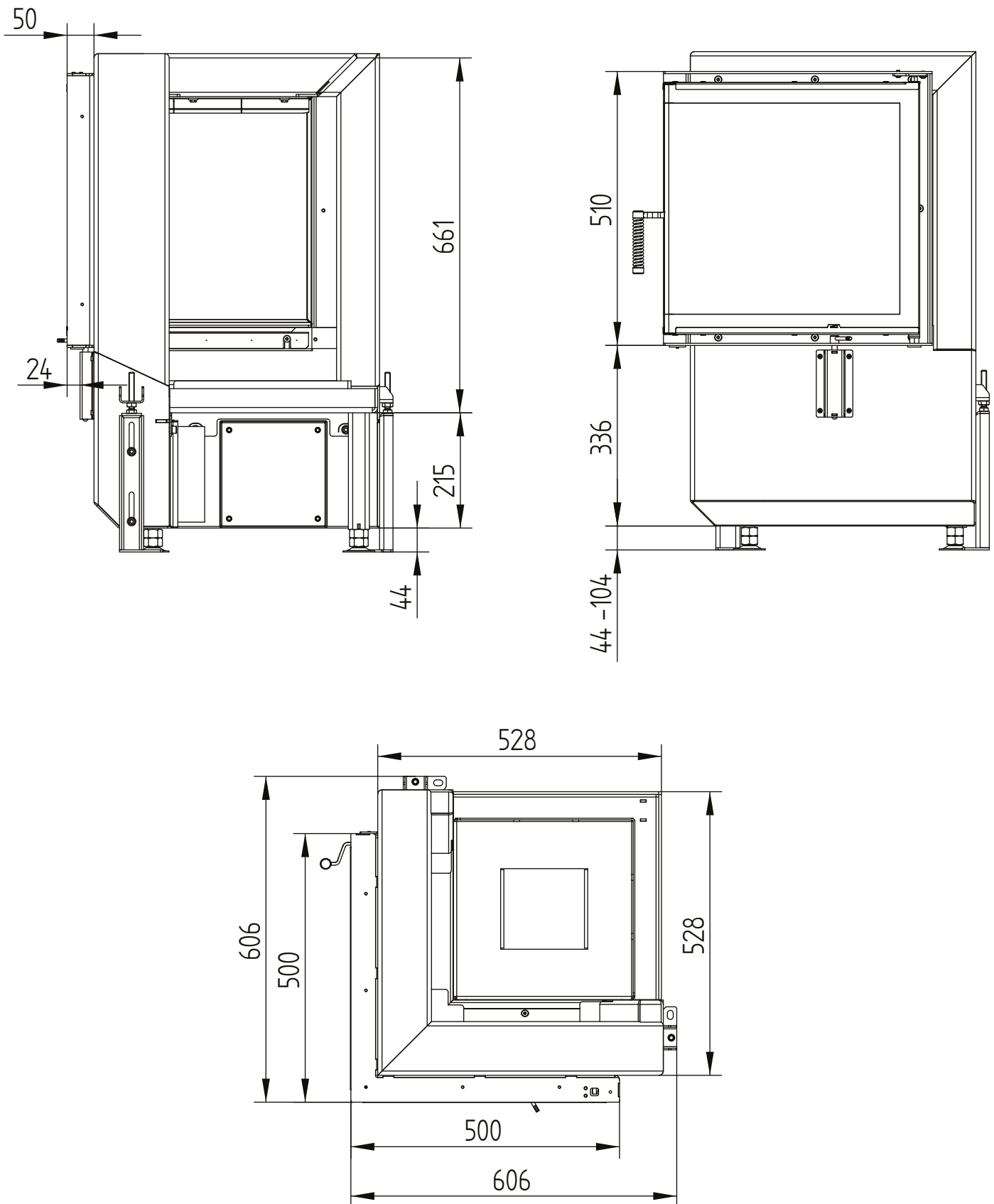


GT2 51/51/51R right

Technical data
Version 2019/08

with base

M 1:10

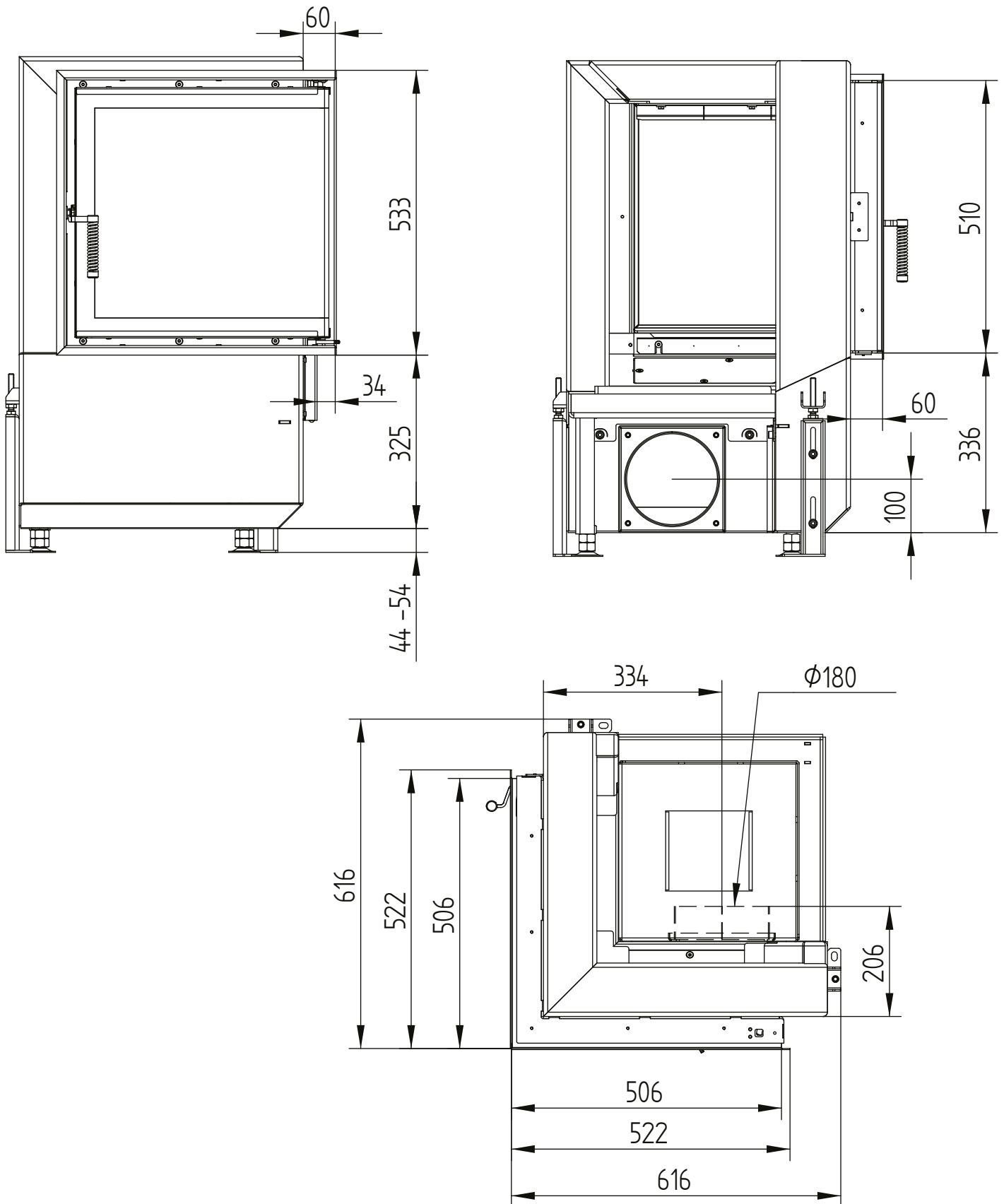


GT2 51/51/51R right

Technical data
Version 2019/08

cover frame 51/51/51R right 6sides 1 x 90° 60 mm / air connection

M 1:10



GT2 51/51/51R right

Technical data
Version 2019/08

build-on frame 51/51/51R right 6sides 80 mm / feet

M 1:10

