

General technical information	
Recommended wood load	15 kg
Maximum cross-section of the supply air connection	240 cm ²
Optional combustion air adapter	2 × Ø 125 mm, 1 × Ø 180 mm
Pressure drop	see table
Free glass area	2 226 cm ²

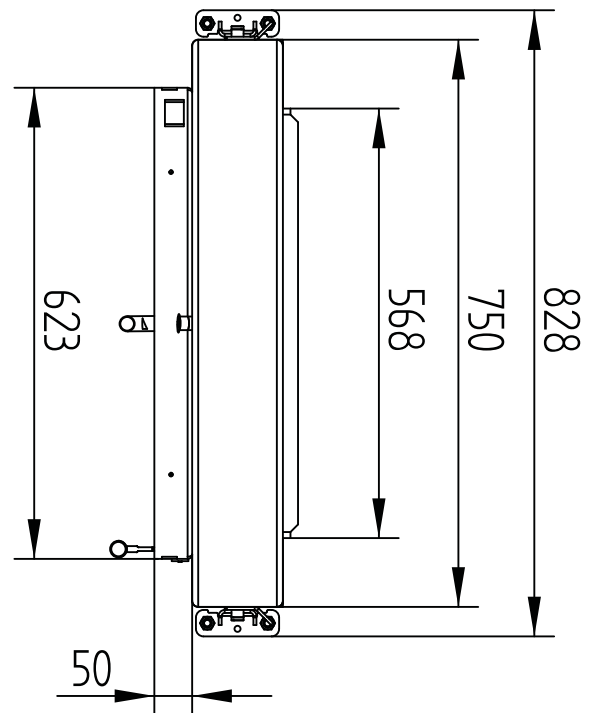
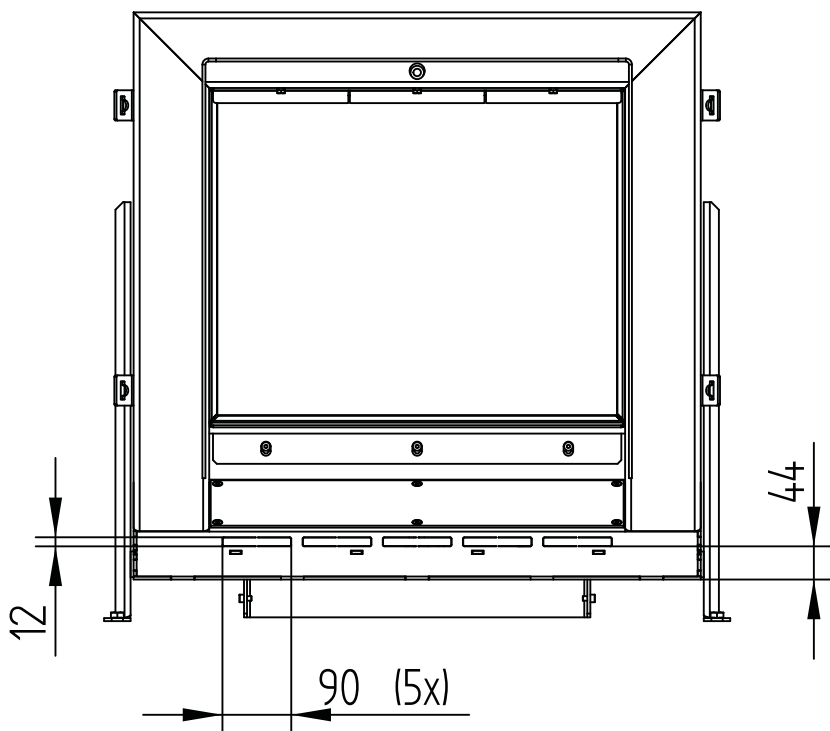
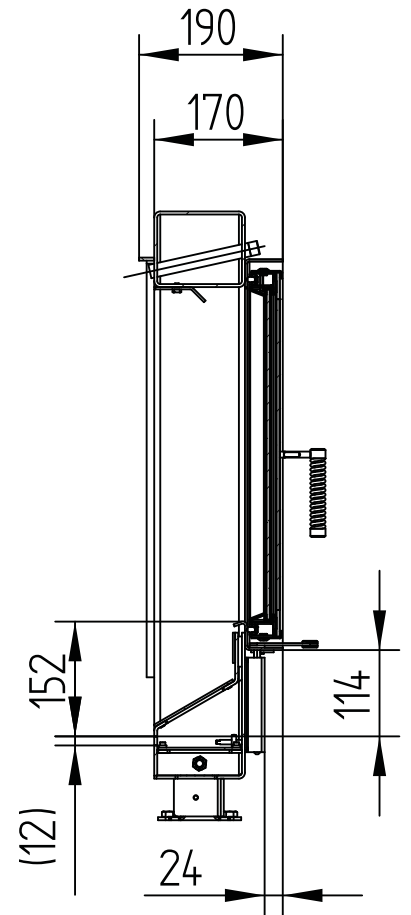
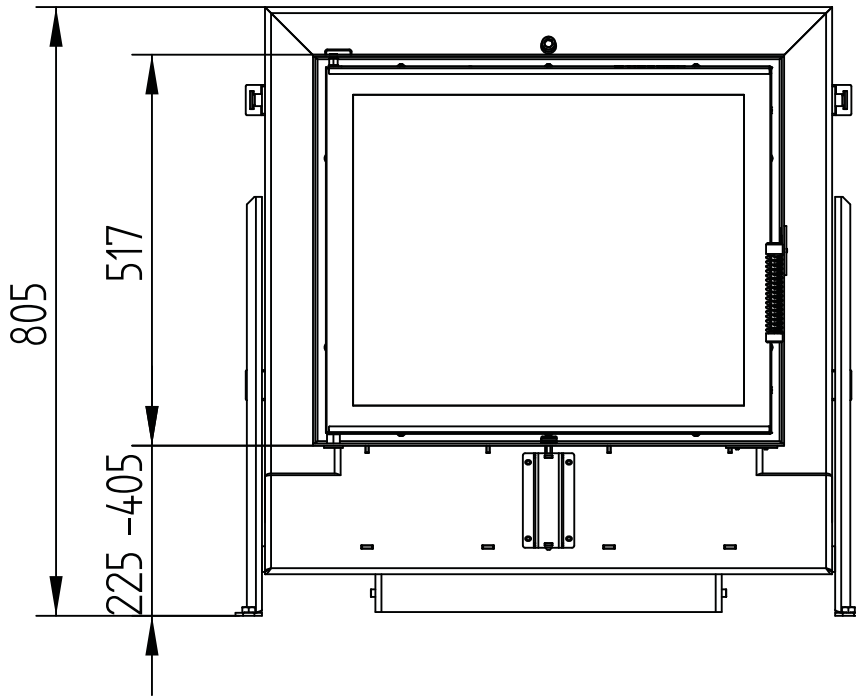
Load of wood	Air flow		Pressure drop
5 kg	47,0 m ³ /h	0,013 m ³ /s	1,5 Pa
6 kg	56,3 m ³ /h	0,016 m ³ /s	2,2 Pa
7 kg	65,7 m ³ /h	0,018 m ³ /s	3 Pa
8 kg	75,1 m ³ /h	0,021 m ³ /s	3,8 Pa
9 kg	84,5 m ³ /h	0,023 m ³ /s	4,6 Pa
10 kg	93,9 m ³ /h	0,026 m ³ /s	5,5 Pa
11 kg	103,3 m ³ /h	0,029 m ³ /s	6,5 Pa
12 kg	112,7 m ³ /h	0,031 m ³ /s	7,5 Pa
15 kg	140,9 m ³ /h	0,039 m ³ /s	10,7 Pa

GT 63/51

Technical data
Version 2019/08

GT 63/51

M 1:10

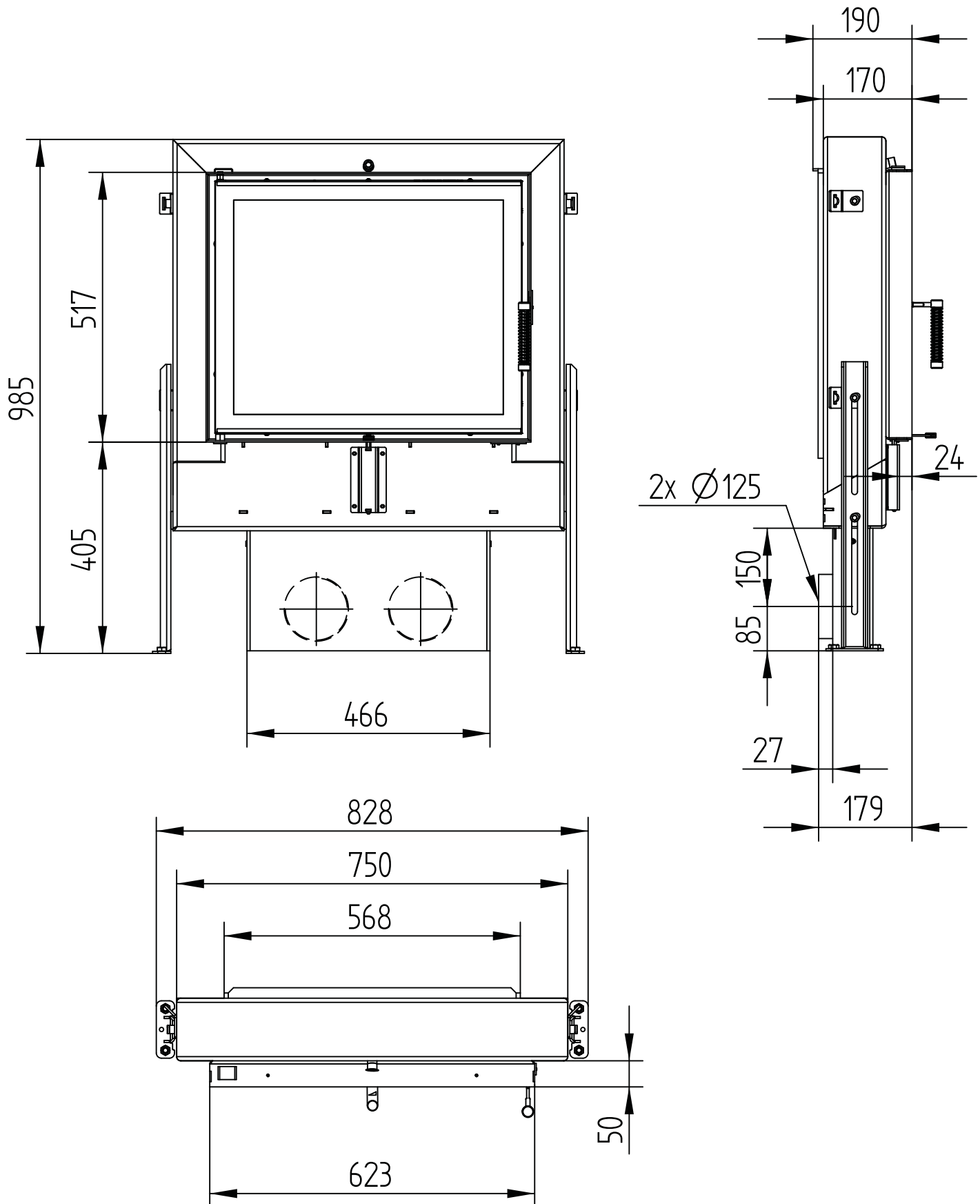


GT 63/51

Technical data
Version 2019/08

air connection 2 x Ø 125 mm

M 1:10

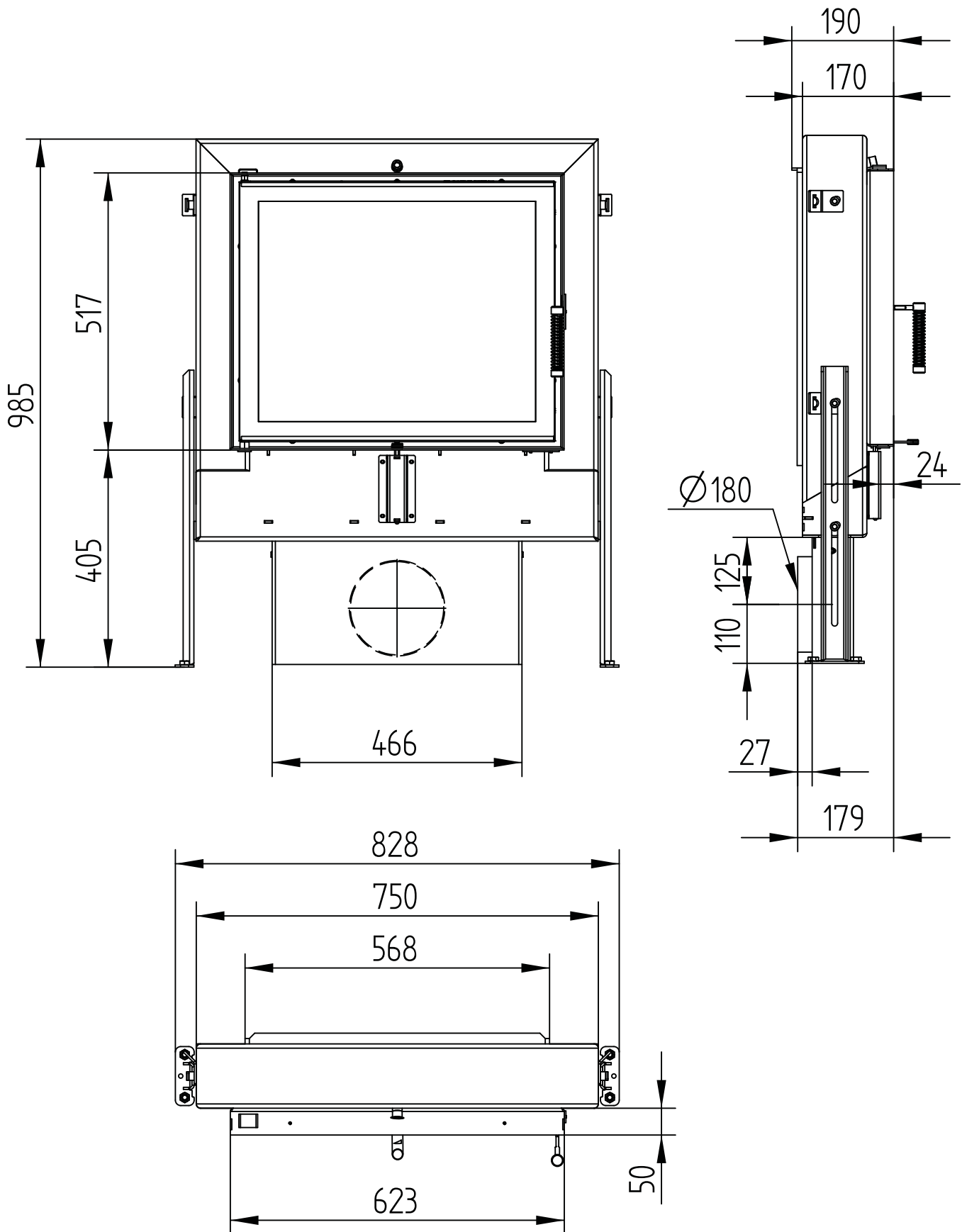


GT 63/51

Technical data
Version 2019/08

air connection 1 x \varnothing 180 mm

M 1:10

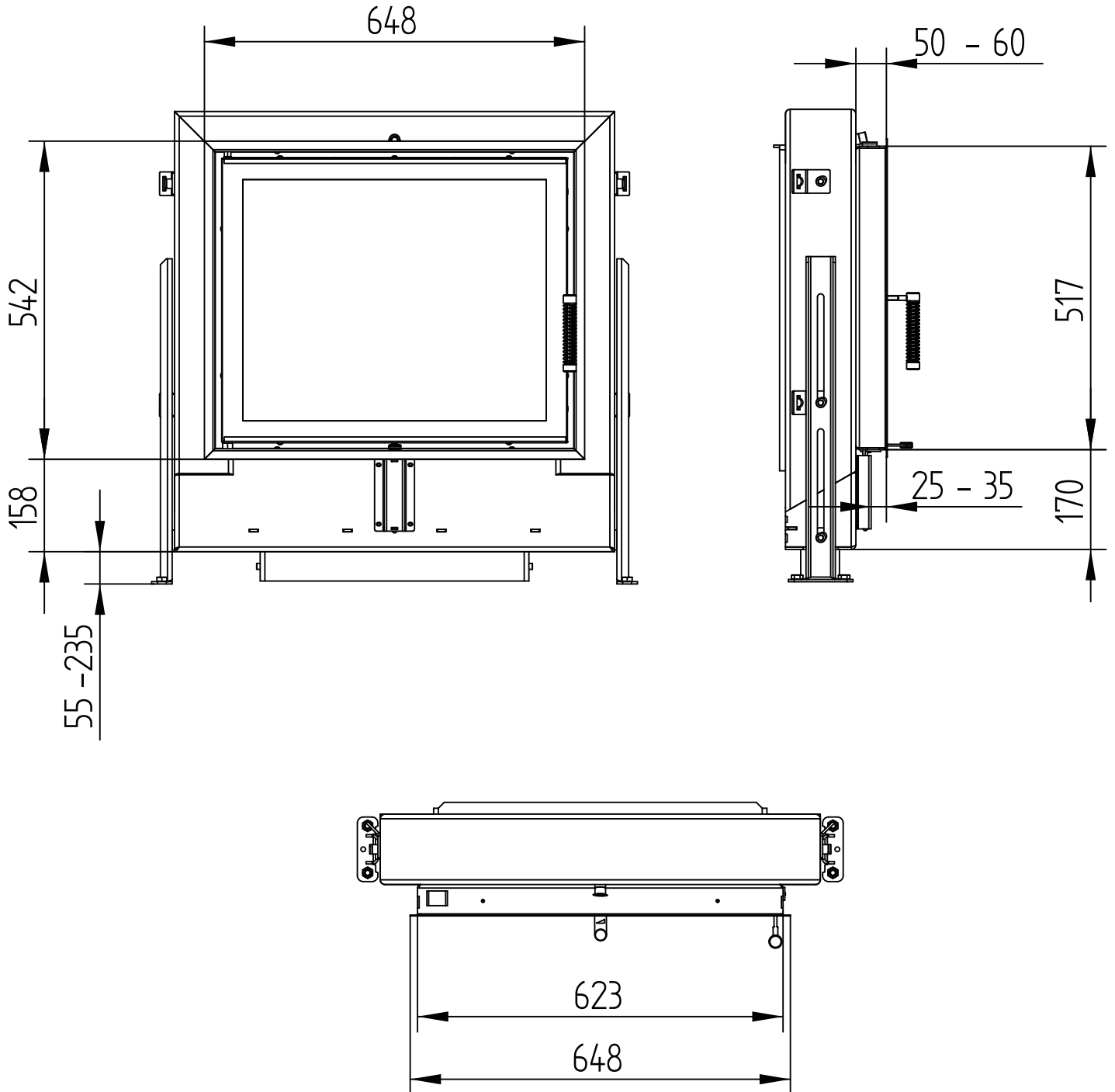


GT 63/51

Technical data
Version 2019/08

cover frame 63/51 4sides 50 mm 1 x 90°

M 1:10



GT 63/51

Technical data
Version 2019/08

cover frame 63/51 4sides 80 mm 2 x 45°

M 1:10

